

HOBao

HYPER III

1/10 HYPER TRANSFORMER TRUCK

NITRO

www.hobao-racing.com



HYPER II

NITRO

1/10 HYPER TRANSFORMER TRUCK

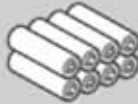


Required

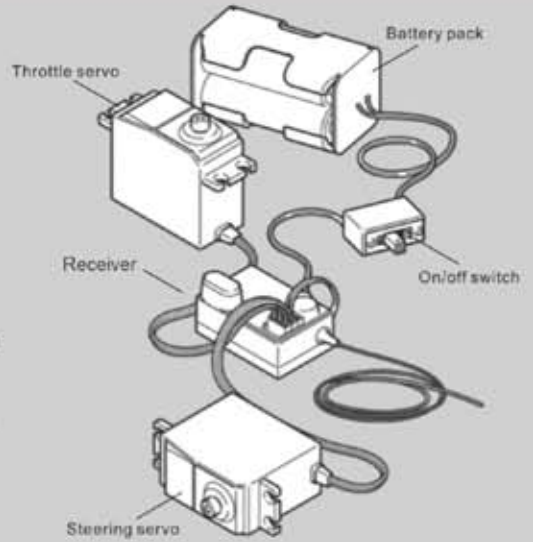
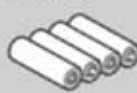
Radio control equipment set



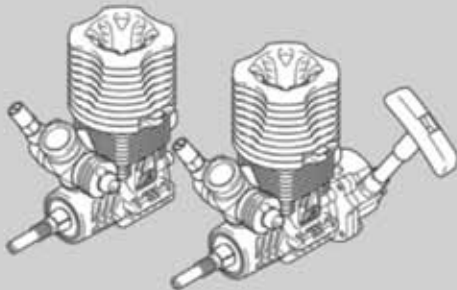
8 AA Size batteries for transmitter



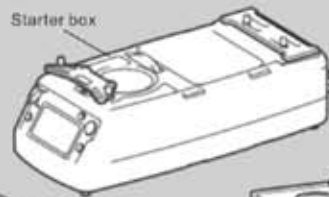
4 AA Size batteries for receiver



Hyper engine series



Required for engine starting



Tools recommended

Hex wrench

2.5mm



2mm



1.5mm



Screwdriver



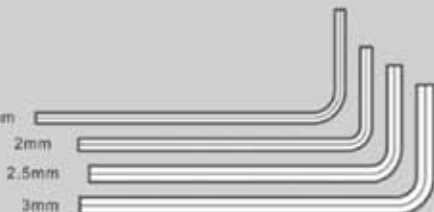
+



Included items

Hex wrench with

1.5mm

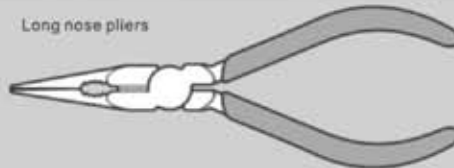


2mm

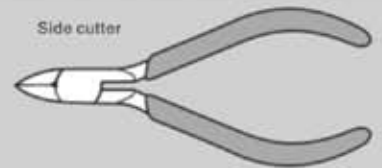
2.5mm

3mm

Long nose pliers



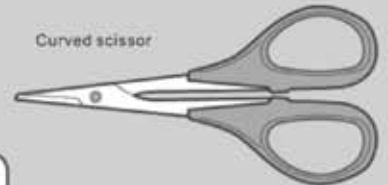
Side cutter



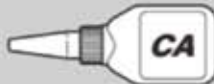
Modeling knife



Curved scissor



Instant cement



Thread lock



Silicone Oil



Grease



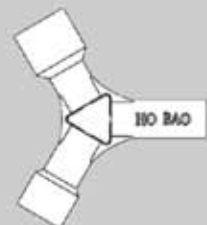
Reamer



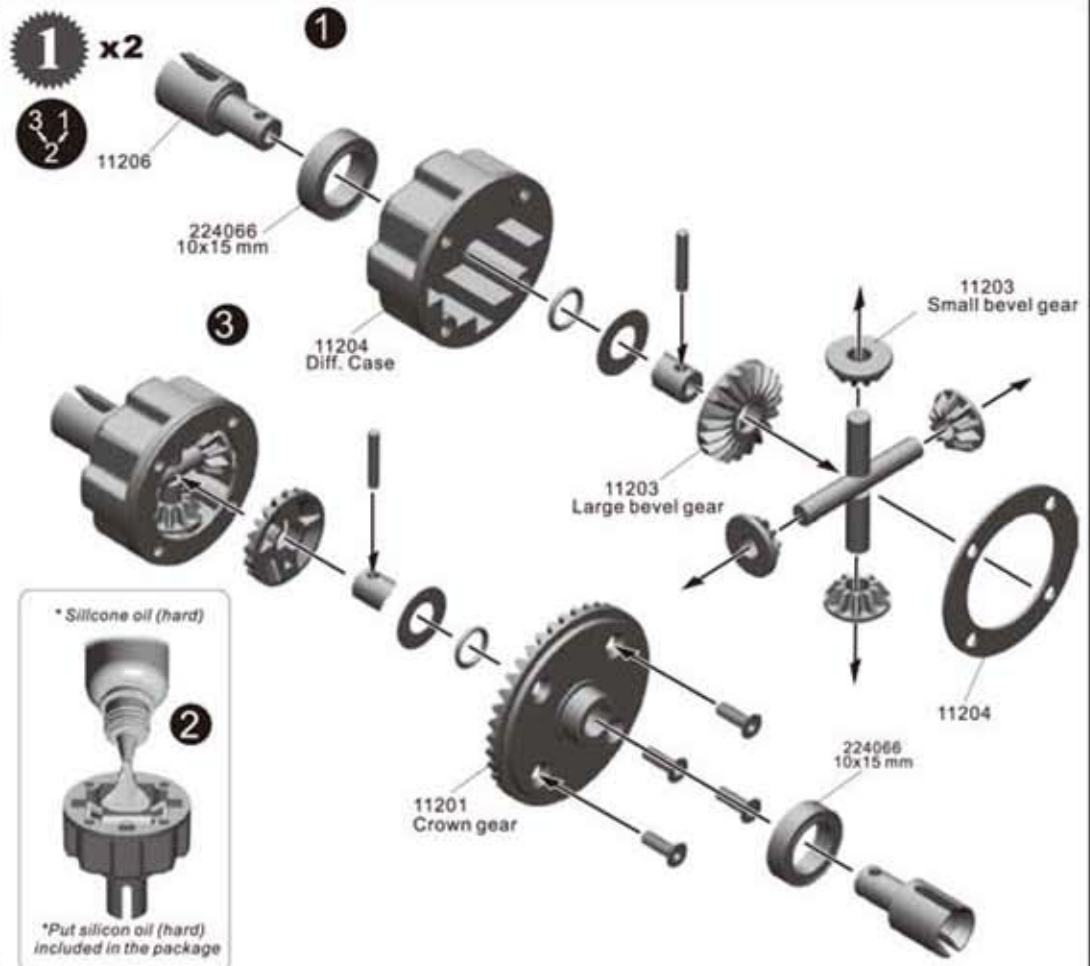
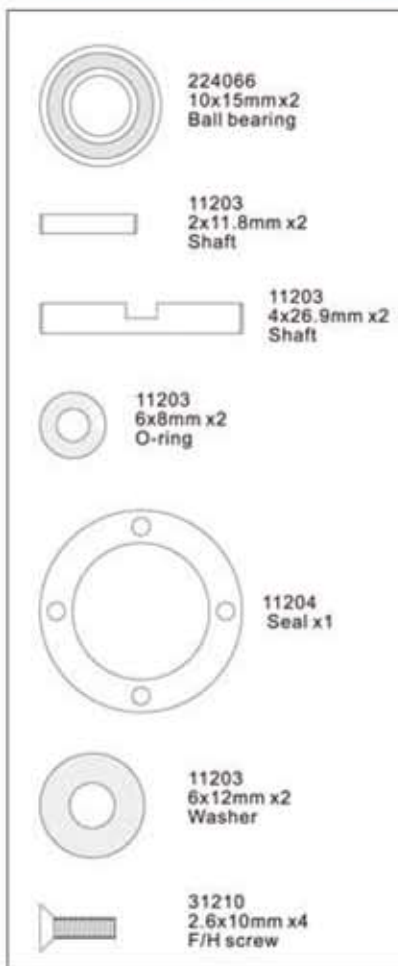
Fuel bottle



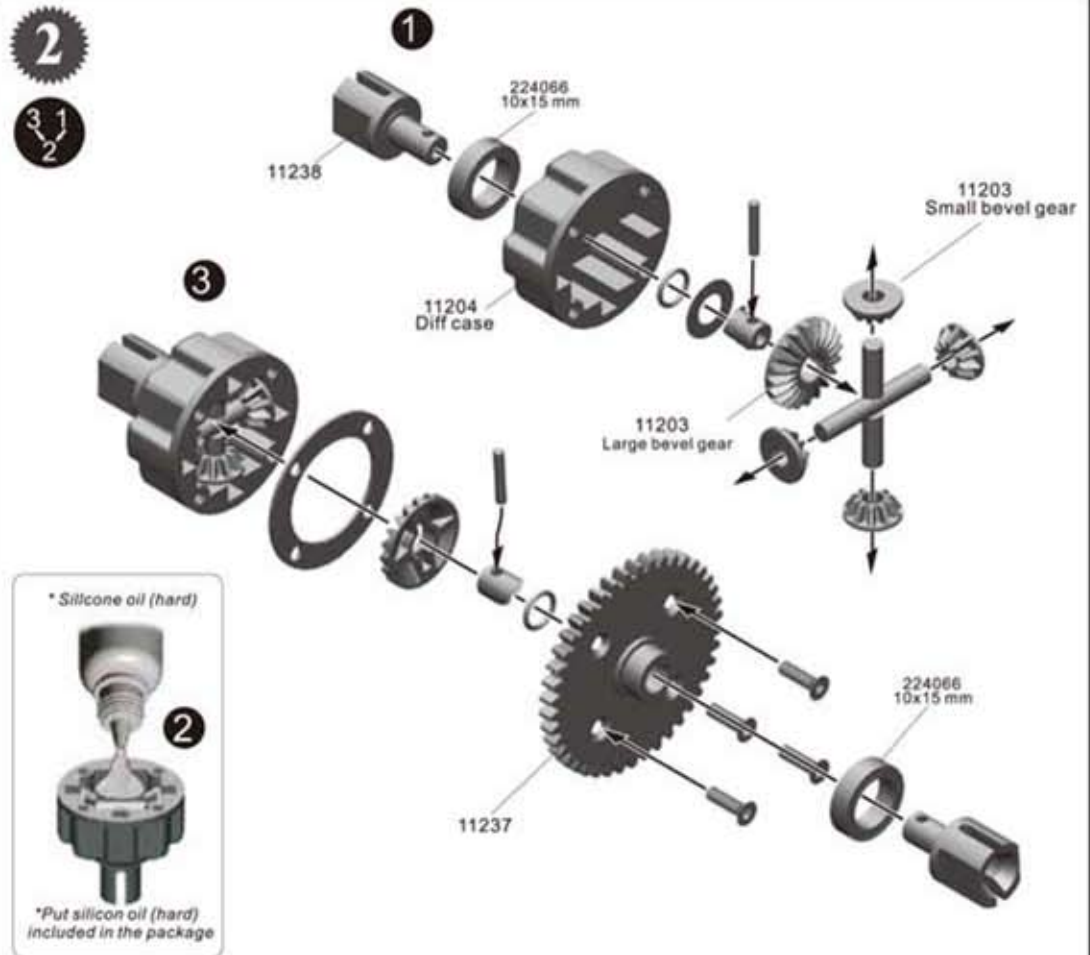
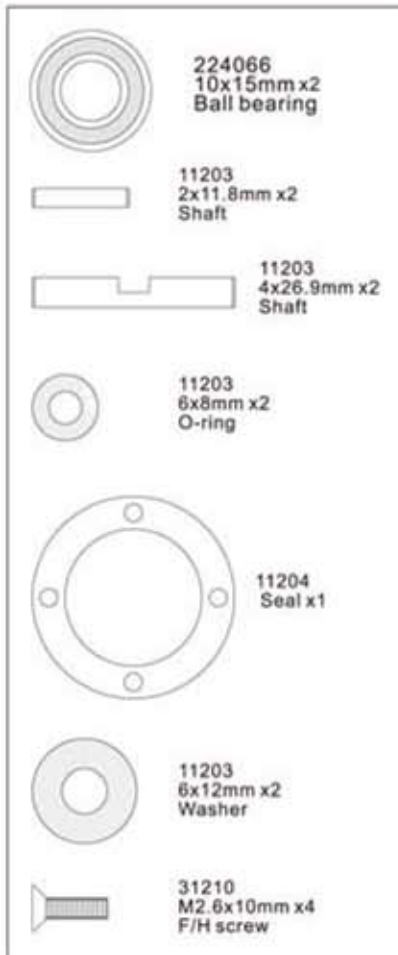
Wrench



Assembly of Front/Rear Differential



Assembly of Center Differential



Assembly of Front/Rear Gear Box

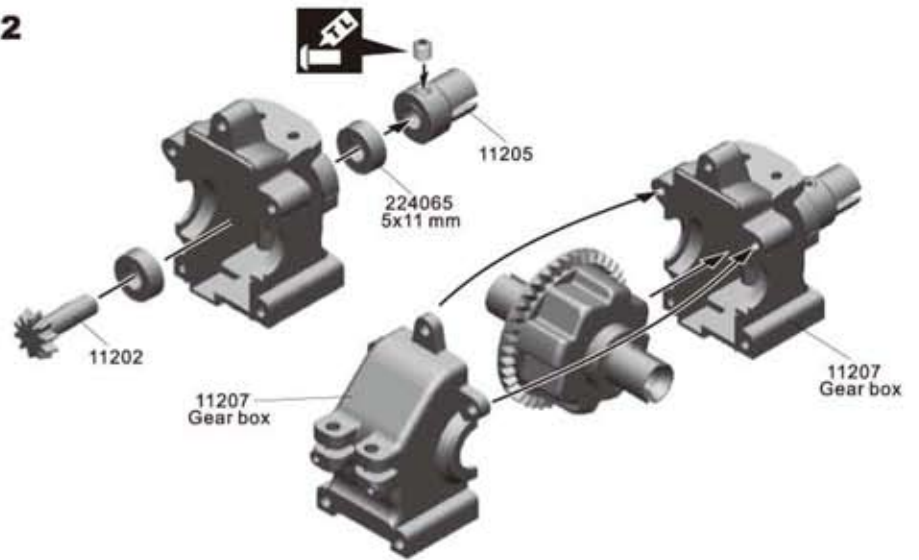
38404
4x4mm x2
Set screw

11205
Steel joint cup x2

11202
Drive pinion gear x2

224065
5x11mm x4
Ball bearing

3 x2



Assembly of Front Suspension Arms : Step1

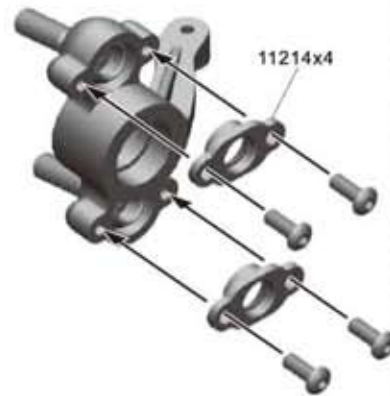
11215
Pillow ball x4

33308
3x8mm x4
Screw

22012
5.8mm x2
Ball

4

LR



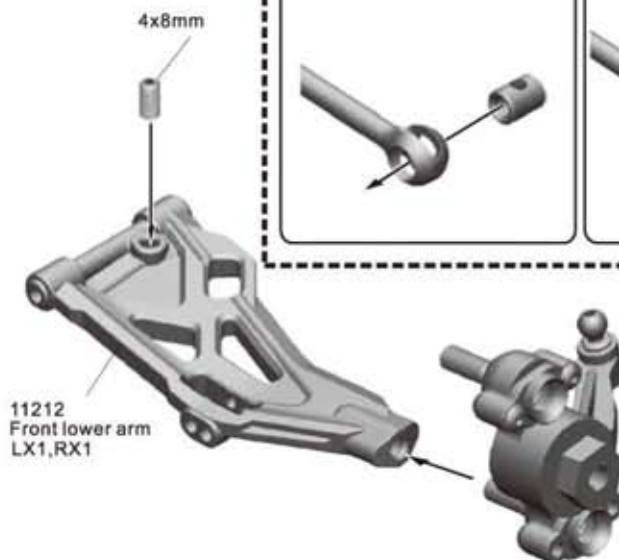
Assembly of Front Suspension Arms : Step2

11216
CVA Shaft x2

38408
4x8mm x2
Set screw

5

LR



Assembly of Front Suspension Arms : Step3



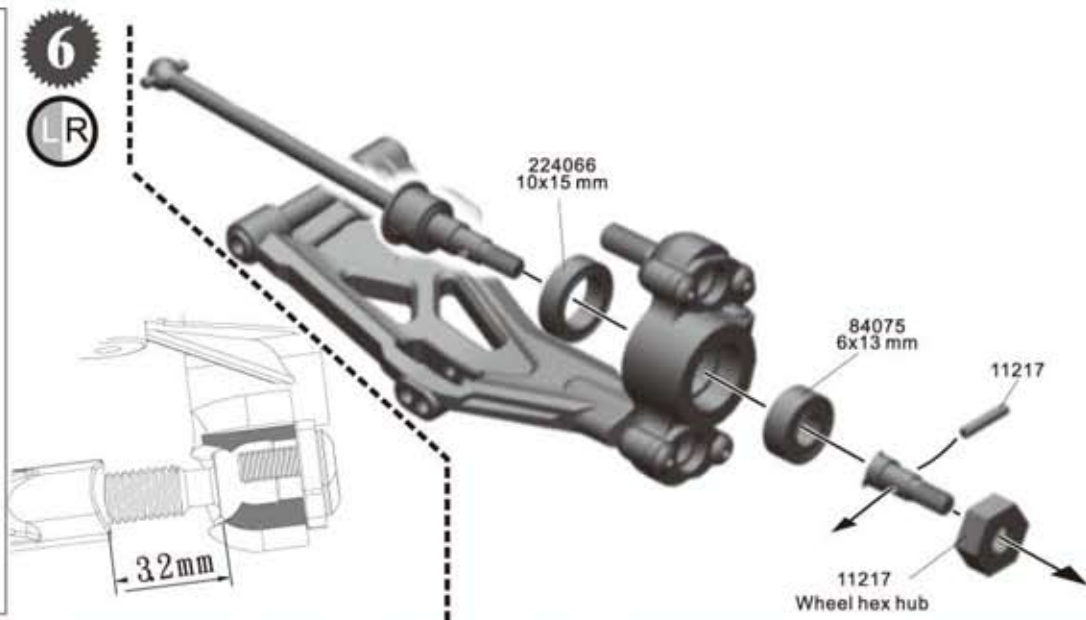
224066
10x15mm x2
ball bearing



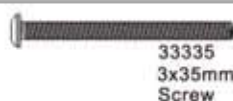
11217
2x10.8mm x2
Shaft



84075
6x13mm x2
ball bearing



Assembly of Front Suspension Arms : Step4



33335
3x35mm x2
Screw



11228
3x51mm x2
Shaft



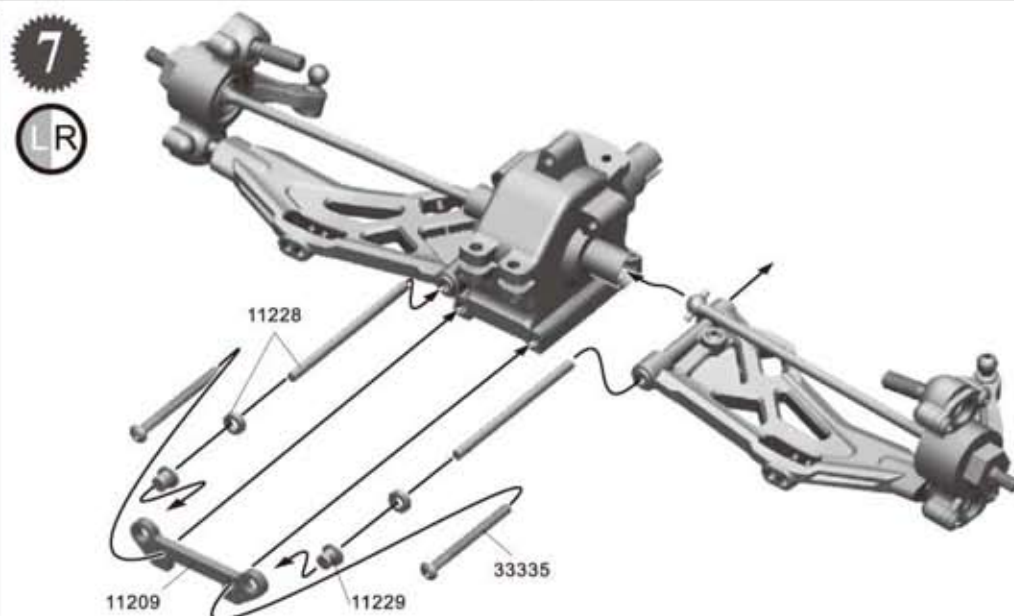
11229
Plastic shaft gasket x2



11229
3mm x2



11209
Front lower holder x1



Assembly of Front Suspension Arms : Step5



11023
F/R Alum suspension plate x1



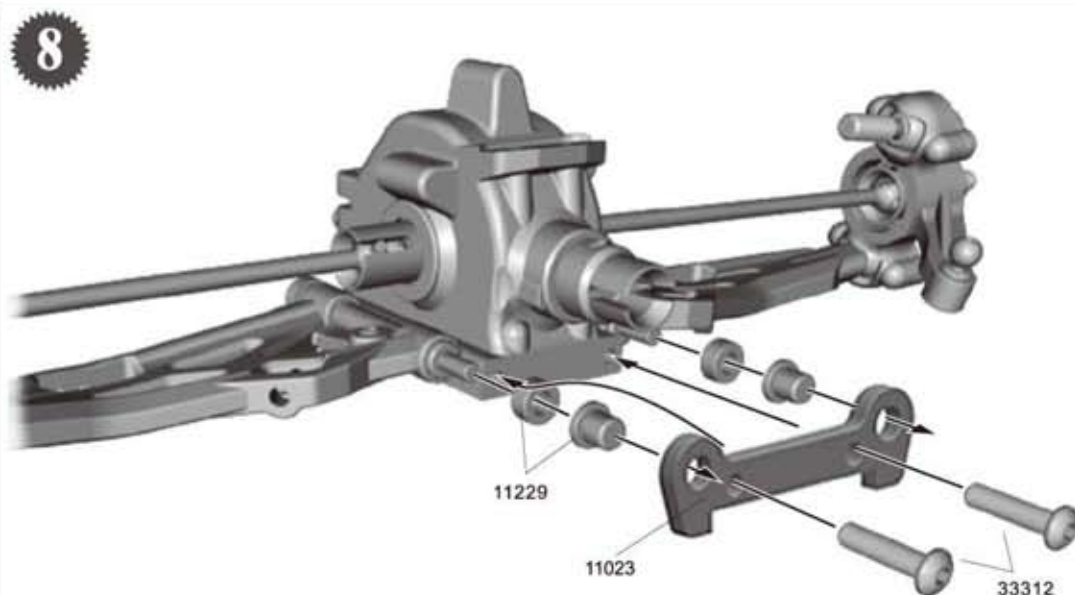
33312
3x12mm x2
Screw



11229
3mm x2

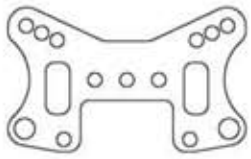


11229
Plastic shaft gasket x2



Assembly of Front Shock Tower

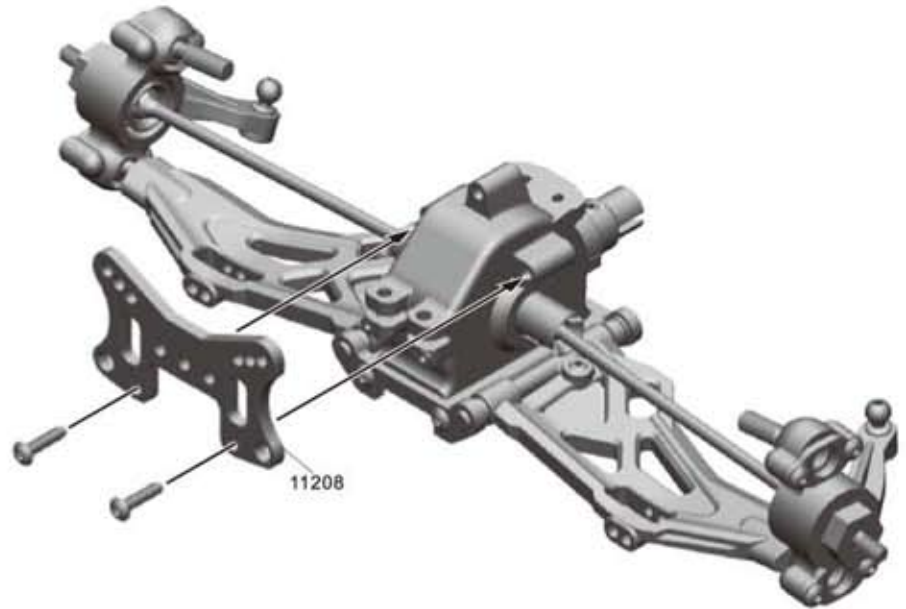
9



11208
Front shock tower



33315
3x15mm x2
Screw

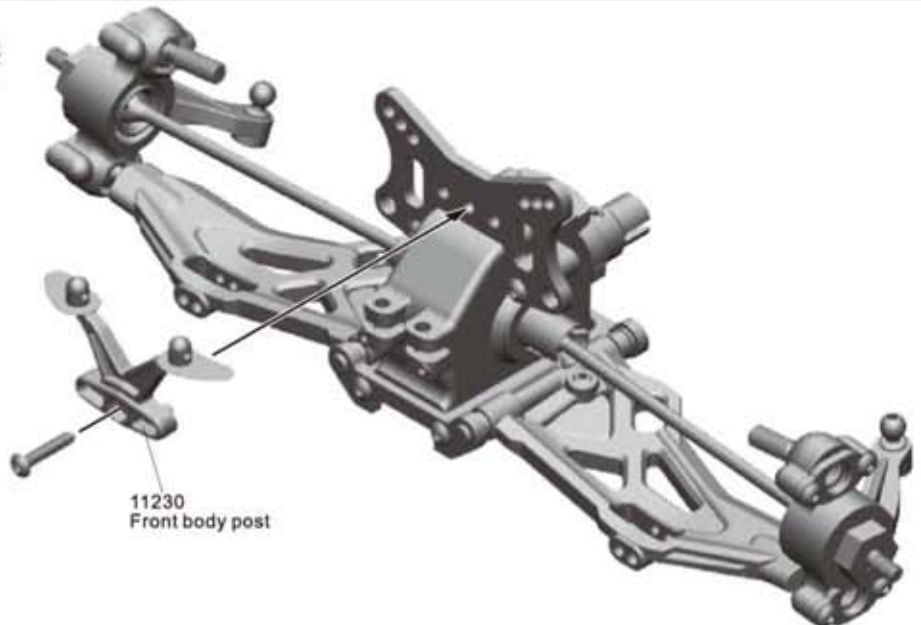


Assembly of Front Body Post

10



33315
3x15mm x1
Screw



Assembly of Front Stabilizer : Step1

11



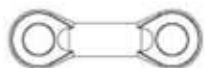
11218
5.8mm x2
Steel ball



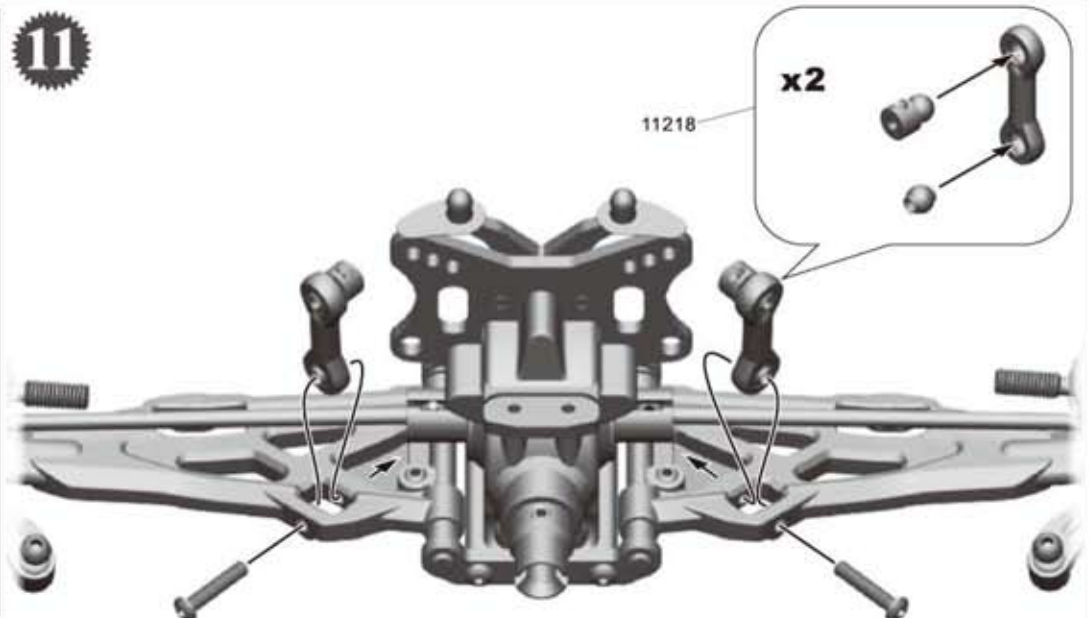
11218
Pivot ball collar x2



33315
3x15mm x2
Screw



11218
Ball end x2



Assembly of Steering Rod

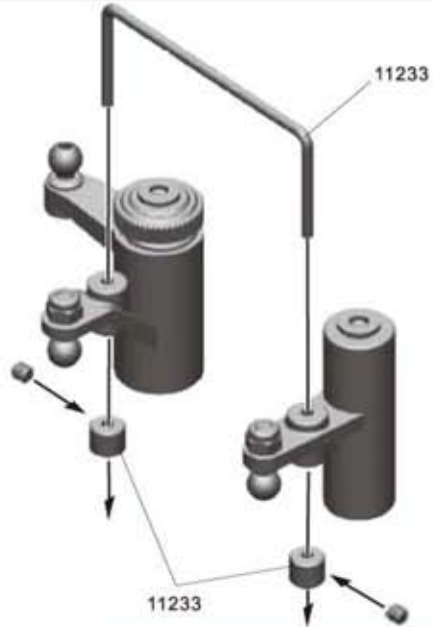
15

38303
3x3mm X2
Set screw

11233
Stopper X2



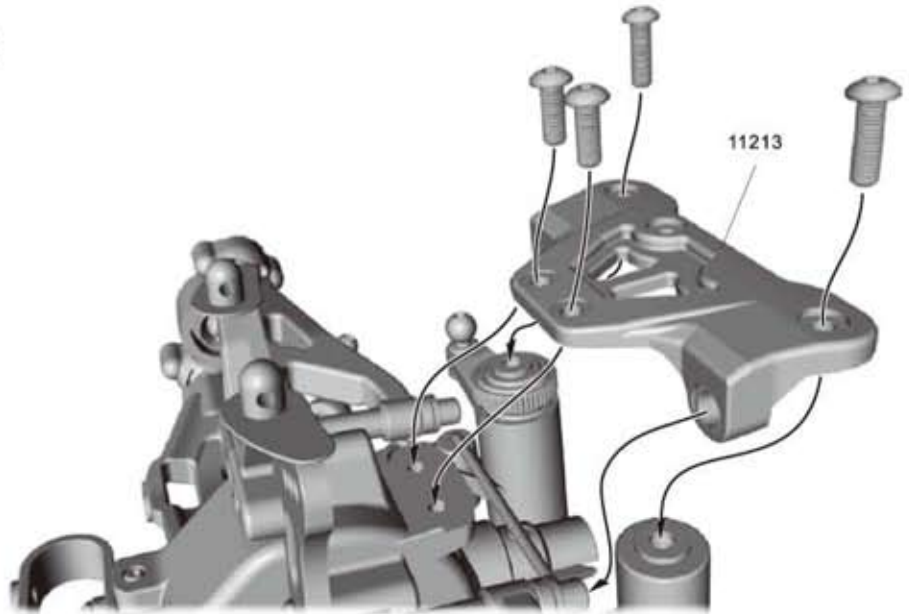
11233 x1



Assembly of Front Upper Arm Holder

16

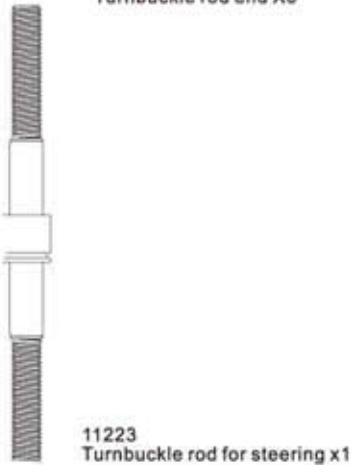
33308
3x8mm x4
Screw



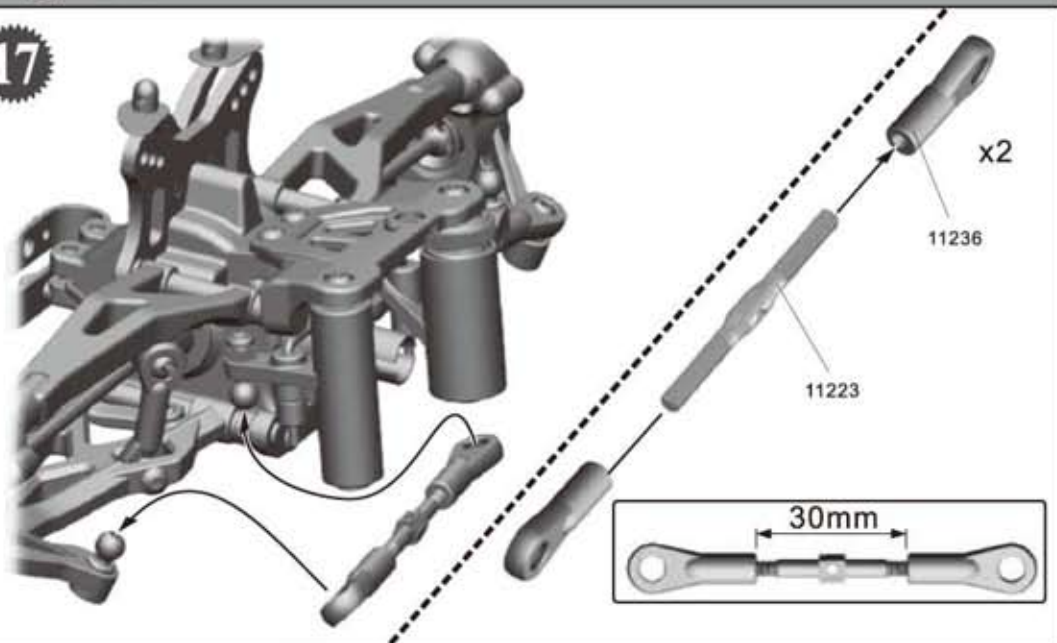
Assembly of Steering Rod

17

11236
Turnbuckle rod end X6



11223
Turnbuckle rod for steering x1

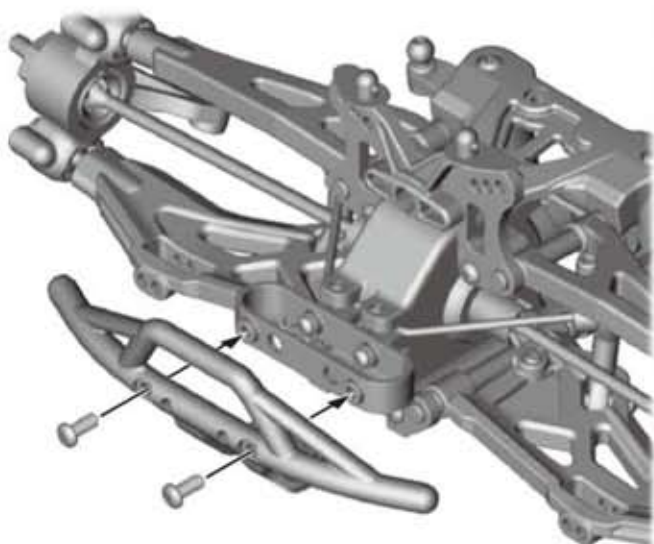


Assembly of Front Bumper

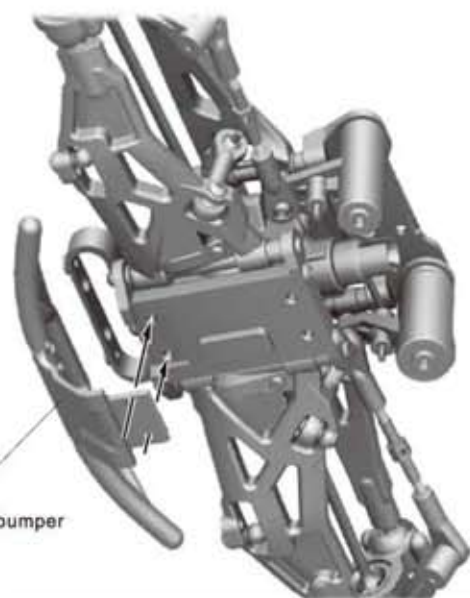
18



33308
3x8mm x2
Screw



11219
Front bumper



Assembly of Front Brace & Suspension Arms onto Chassis

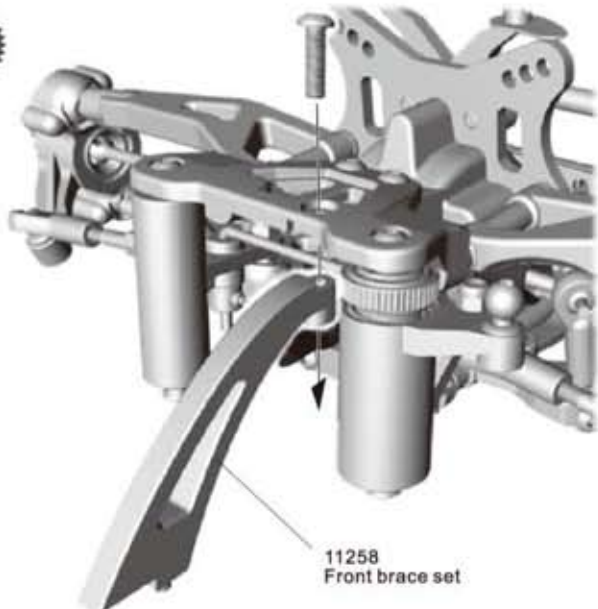
19



33312
3x12mm x1
F/H screw



31310
3x10mm x6
F/H screw



11258
Front brace set



Assembly of Rear Suspension Arms : Step1

20

LR

11226
Rear joint cup

224066
10x15 mm

11225
Rx1,Lx1

84075
6x13 mm

11217
Wheel hex hub

11217
2x10.8mm x2
Shaft

224066
10x15mm x2
Ball bearing

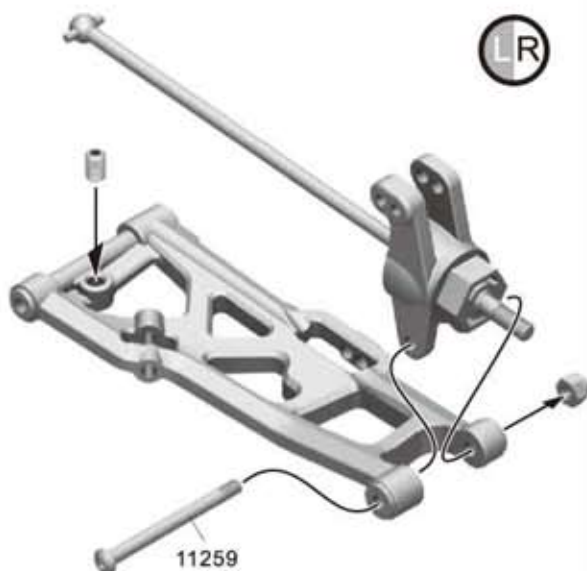
84075
6x13mm
Ball bearing x2

38408
4x8mm x2
Set screw

39008
M3 Nut x2

11259 Shaft 3x35mm x2

11227
Rear dog bone



Assembly of Rear Suspension Arms : Step2



11023
F/R Alum suspension plate x1



33312
3x12mm x2
Screw



11228
3x51mm x2
Shaft

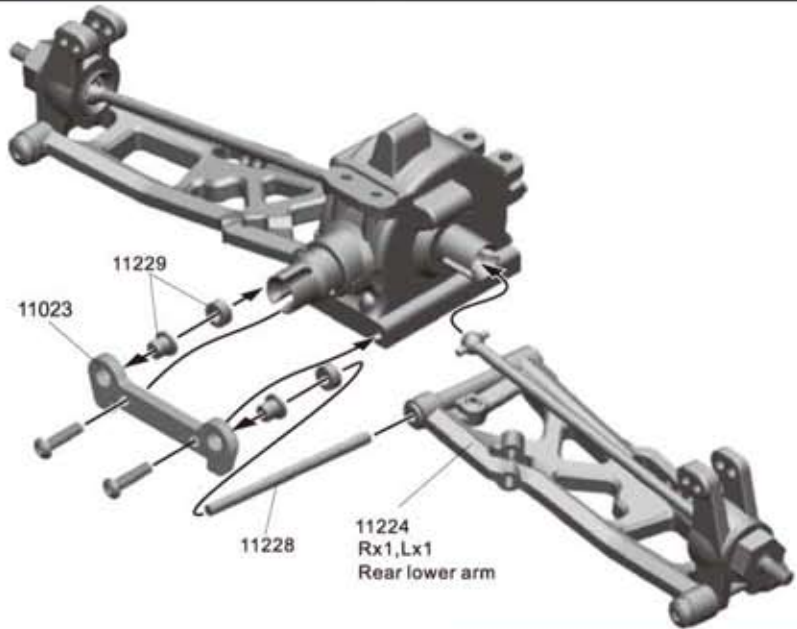


11229
Plastic washer 3mm
x2



11229
Plastic shaft gasket x2

21



Assembly of Rear Suspension Arms : Step3



11229
Plastic shaft gasket x2

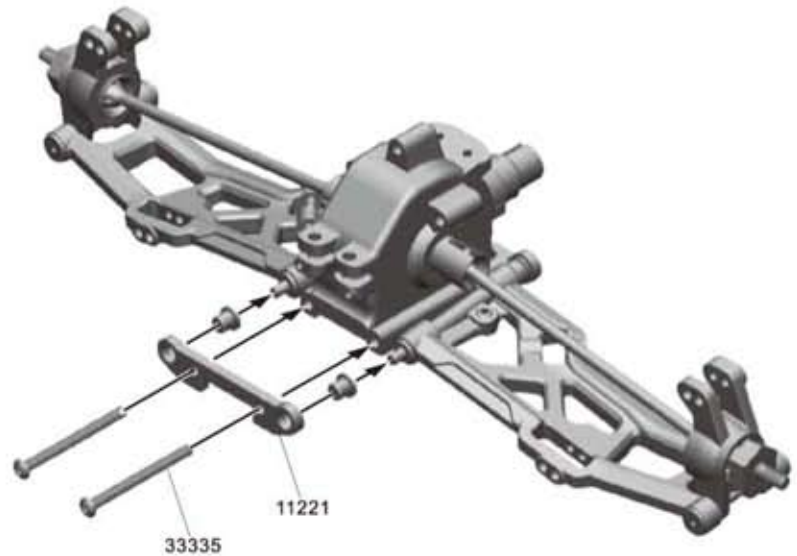


33335
3x35mm x2
Screw



11221
Rear lower arms holder-alum x1

22



Assembly of Rear Shock Tower



22012
5.8mm x2
Ball



87031
Steel shock ball x2

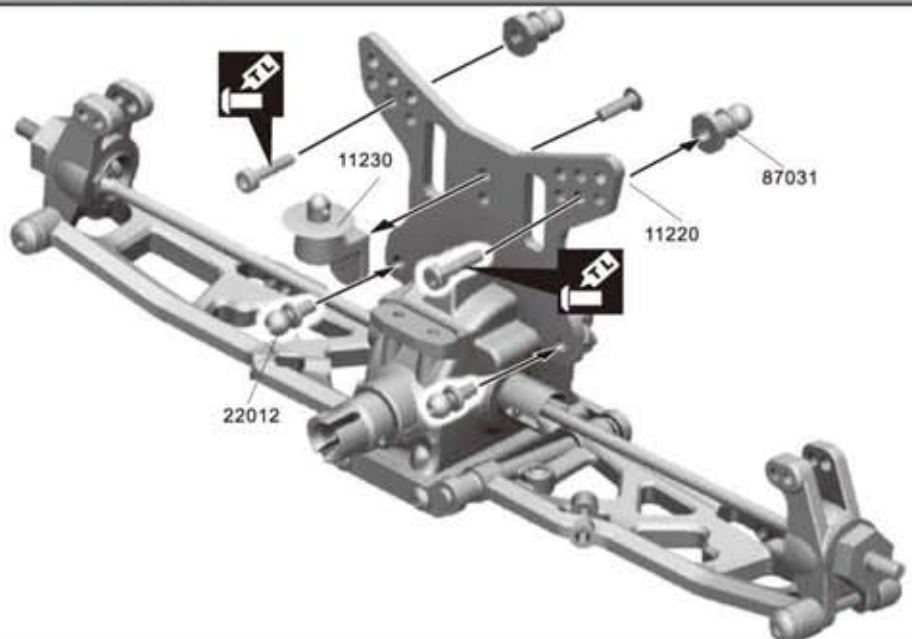


32312
3x12mm x2



33310
3x10mm x1
Screw

23



Assembly of Rear Shock Tower

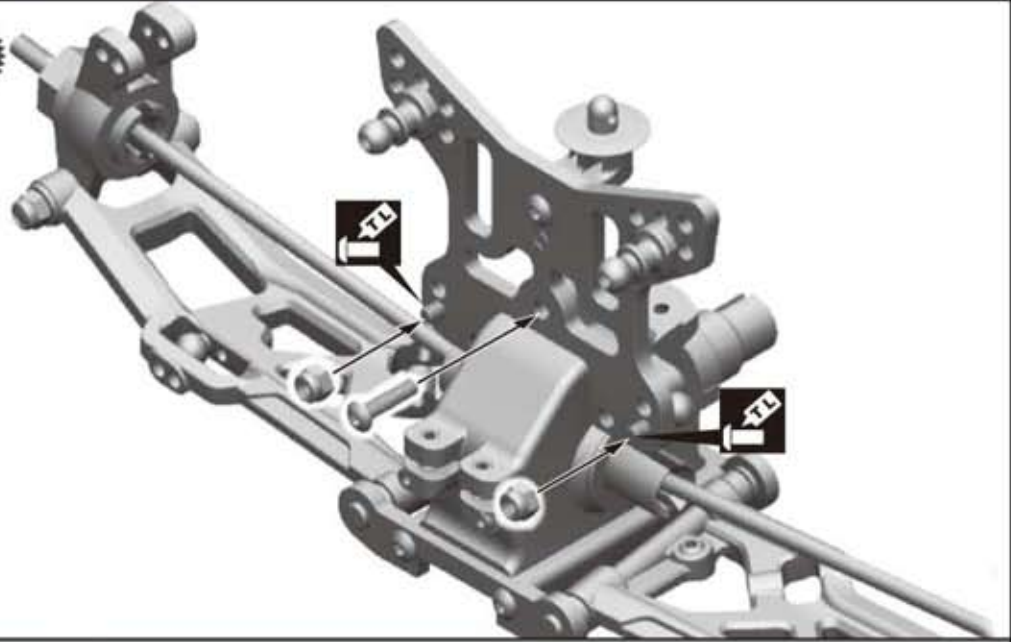
24



33312
3x12mm x1
Screw



39008
M3 Nut x2



Assembly of Rear Upper Arms

25

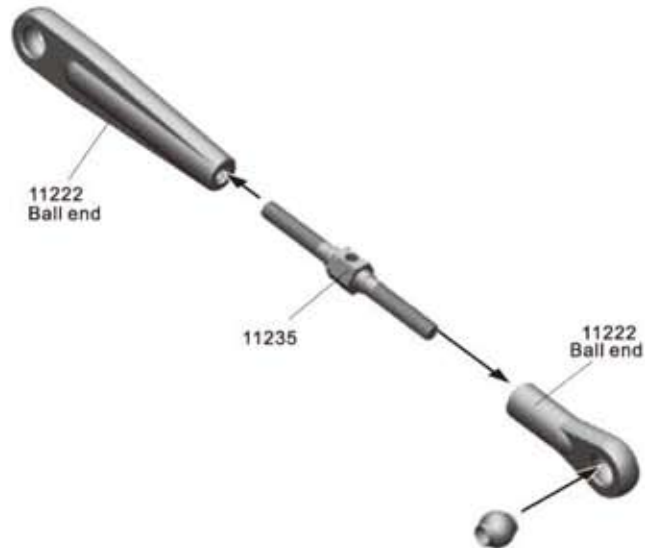
x2



11235
3x36.5mm
Turnbuckle rod for
Rear upper Arm x2

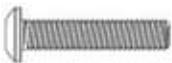


22012
Steel ball x2

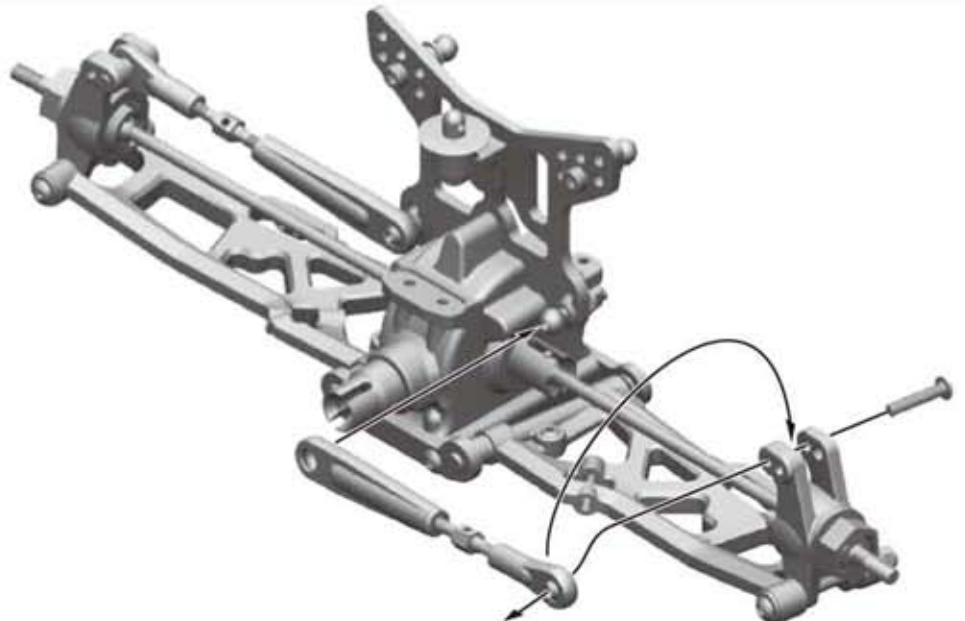


Assembly of Rear Suspension Arms

26



33315
3x15mm x2
Screw



Assembly of Rear Stabilizer : Step1



11218
5.8mm Steel ball x2



11218
Pivot ball collar x2

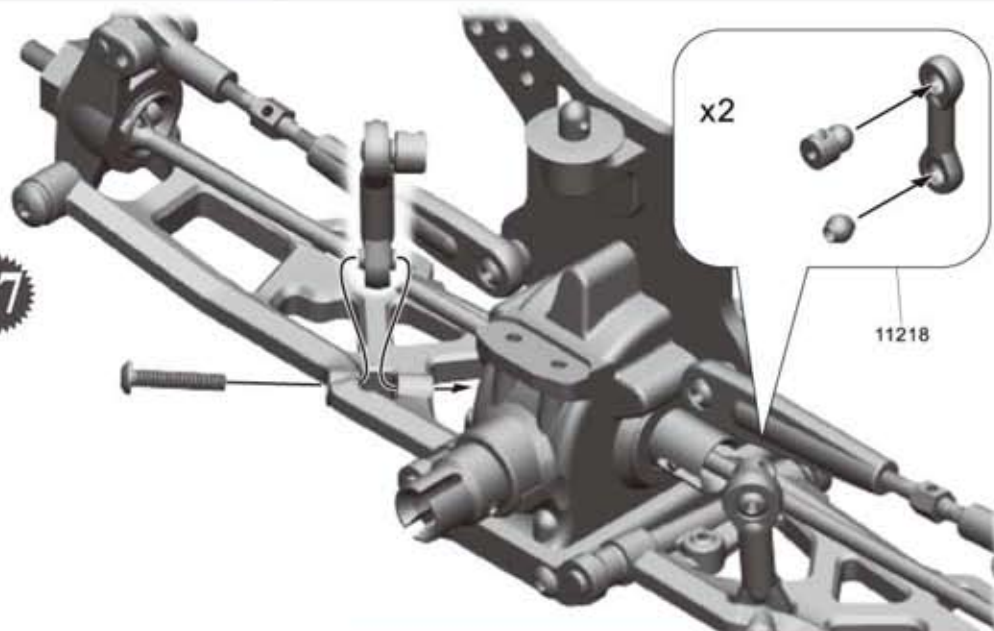


33315
3x15mm x2
Screw



11218
Ball end x2

27



Assembly of Rear Stabilizer : Step2

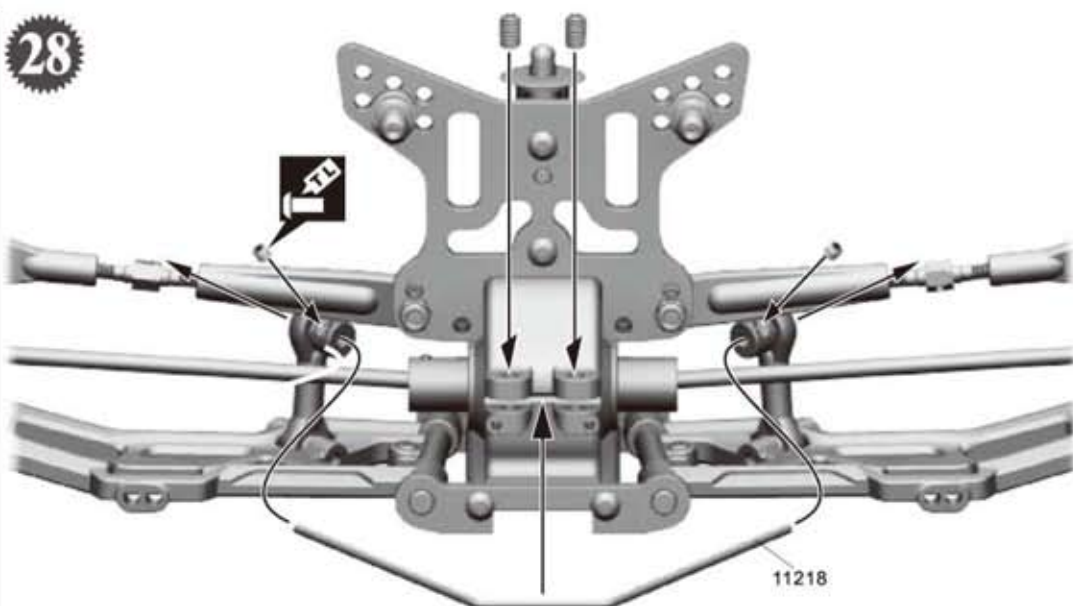


38303
3x3mm x2
Set screw



38405
4x5mm x2
Set screw

28



Assembly of Wing Stay



31315
3x15mm x4
F/H screw

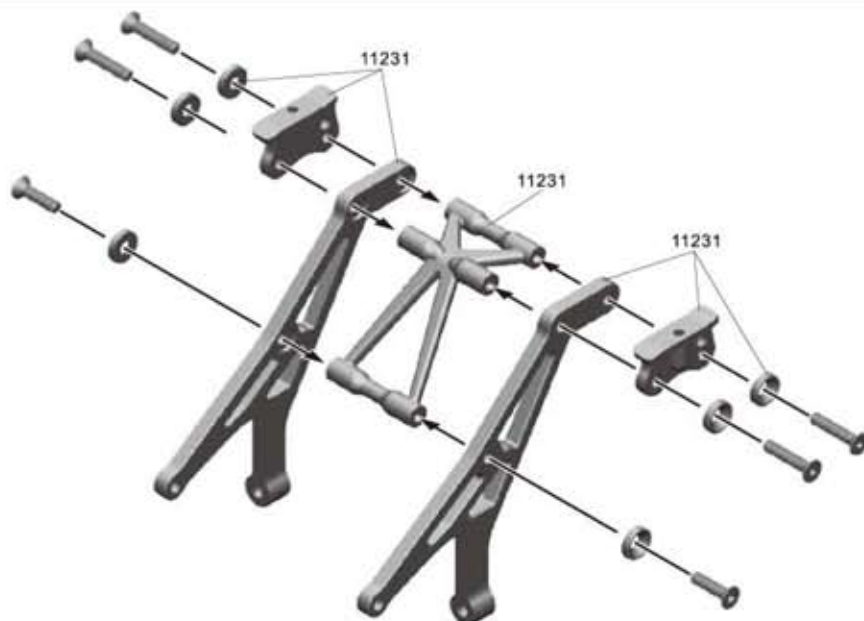


31312
3x12mm x2
F/H screw



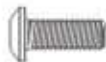
11231
Washer x6

29

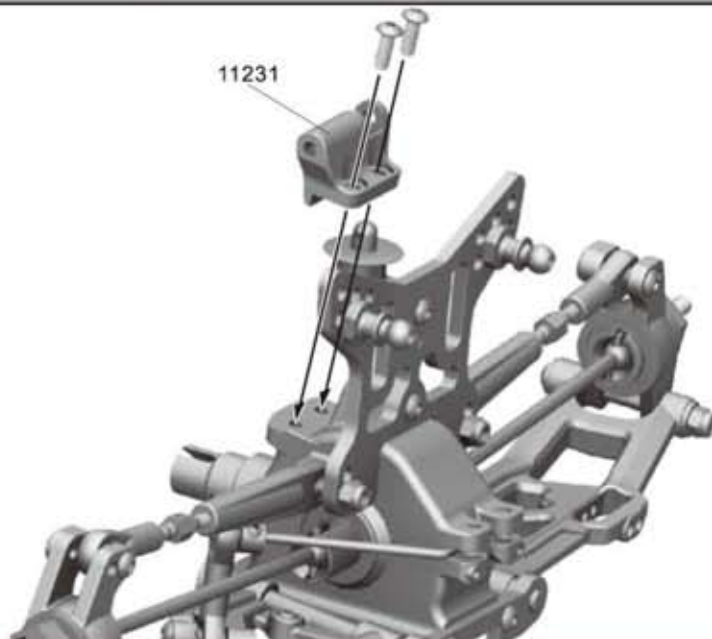


Assembly of Rear Brace Holder

30



33308
3x8mm x2
Screw

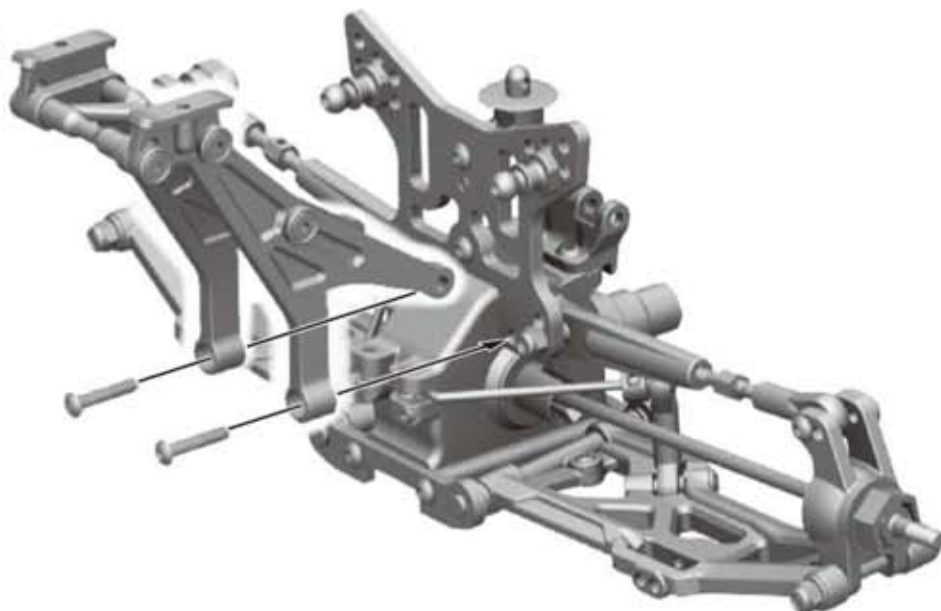


Assembly of Wing Stay

31



33315
3x15mm x2
Screw



Assembly of Rear Brace

32

Without Wing Stay



33330
3x30 x1



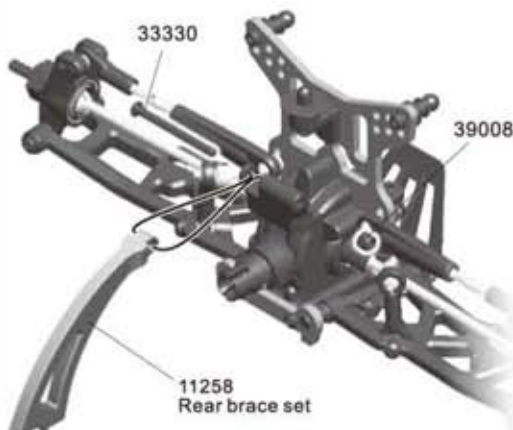
39008 x1



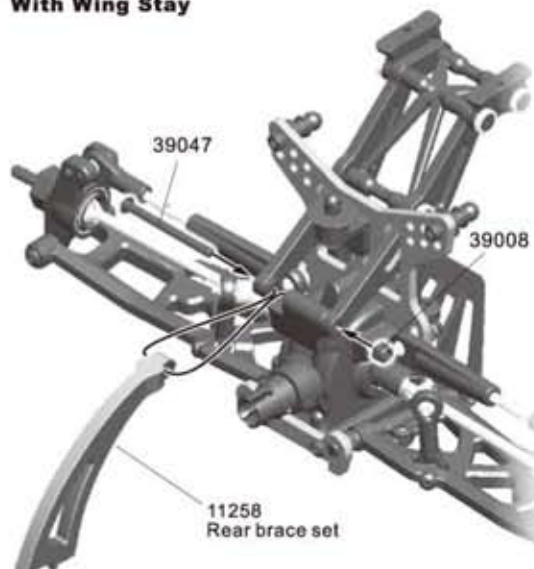
39047
3x37 x1



39008 x1



With Wing Stay



Assembly of Rear Bumper onto Chassis

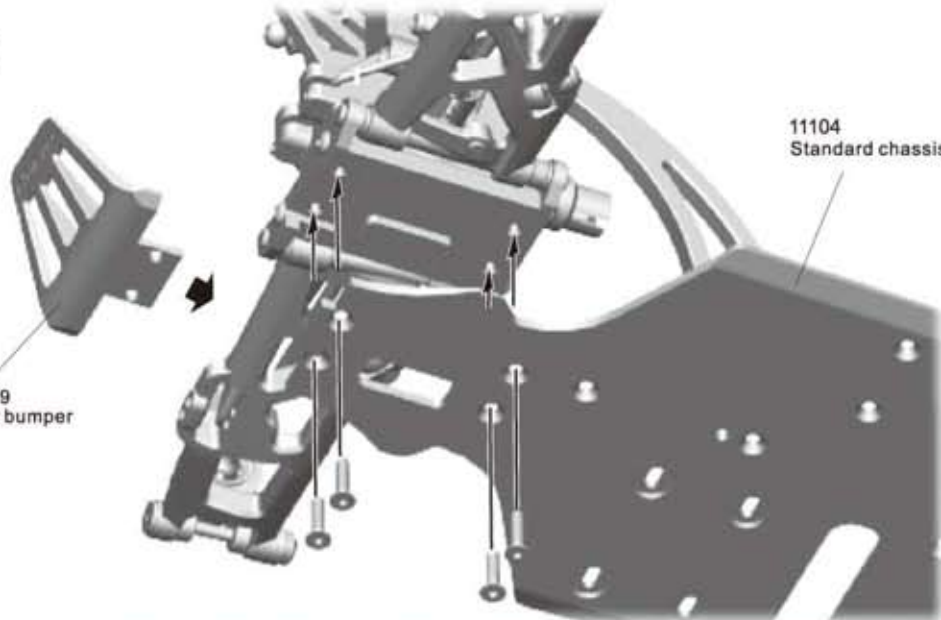
33



31310
3x10mm x4
F/H screw

11219
Rear bumper

11104
Standard chassis



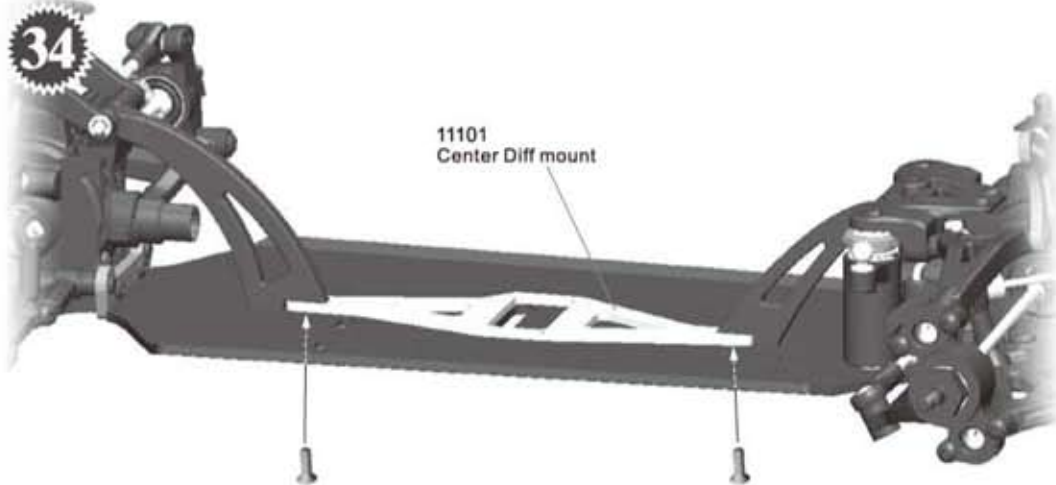
Assembly of Center Diff Mount onto Chassis

34



31310
3x10mm x2
F/H screw

11101
Center Diff mount



★ Follow Steps 35 to 52 for Nitro Version Center Diff and Engine Mount

Assembly of Center Gear Box : Step1

35



35312
3x12mm x4
Hex head screw

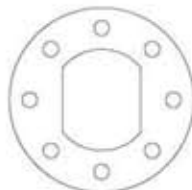


x4

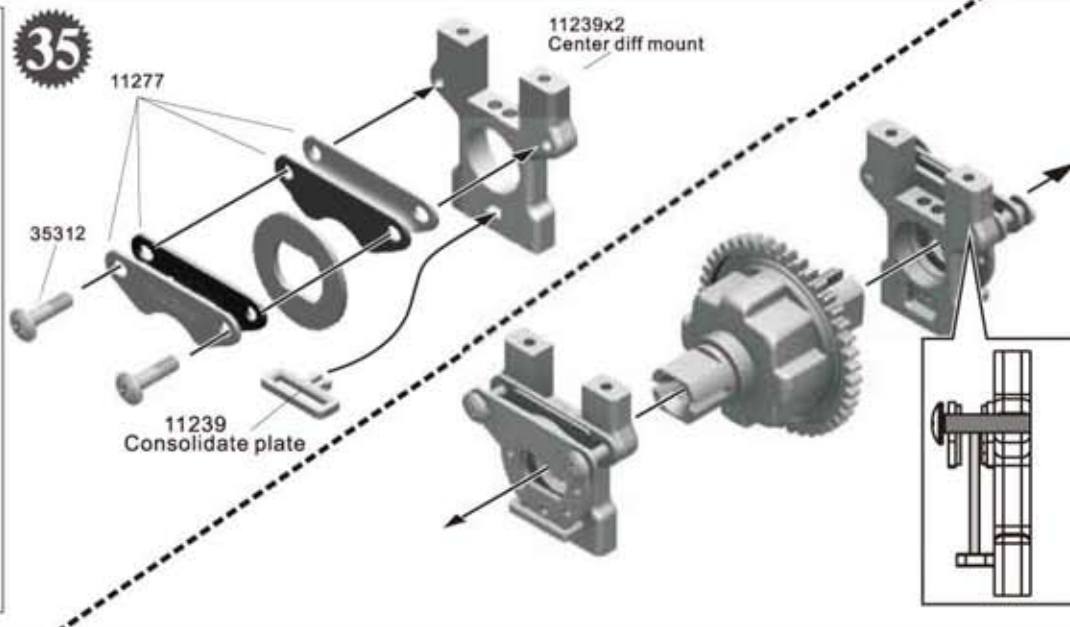


x4

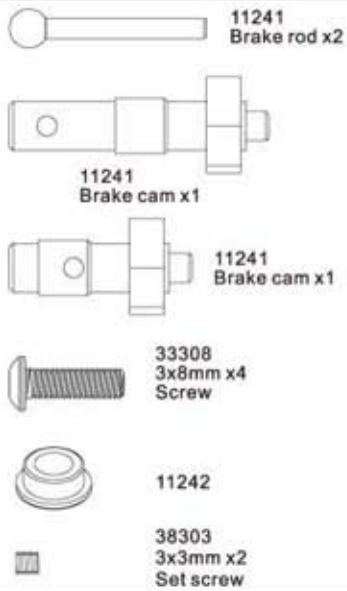
11277
Brake pad



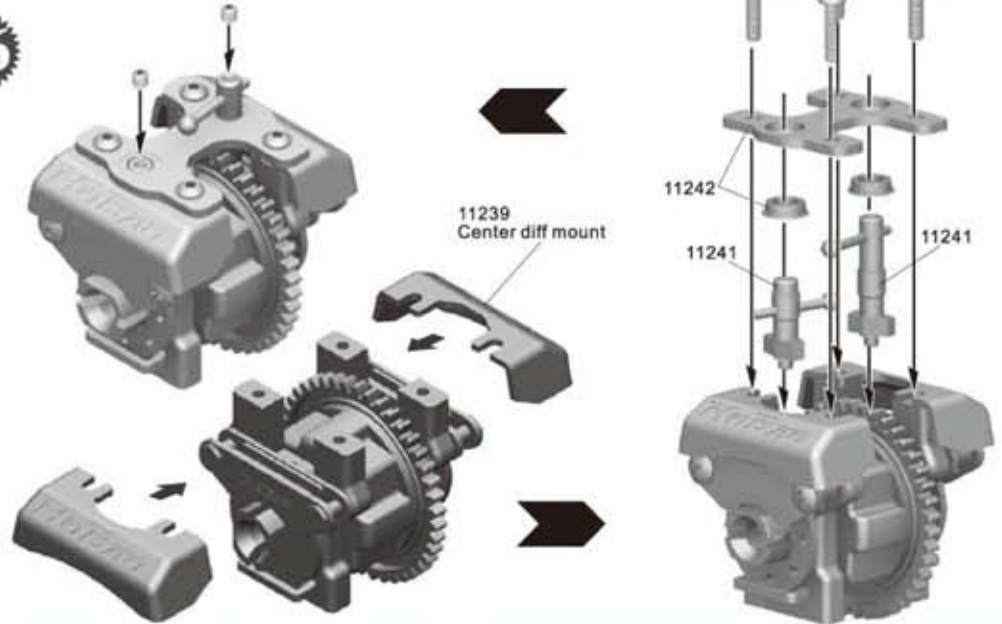
11240
Brake disc x2



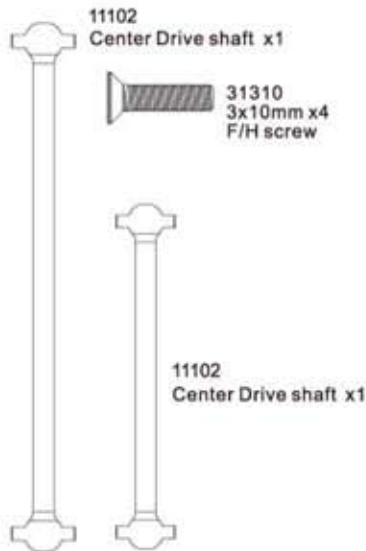
Assembly of Center Gear Box : Step2



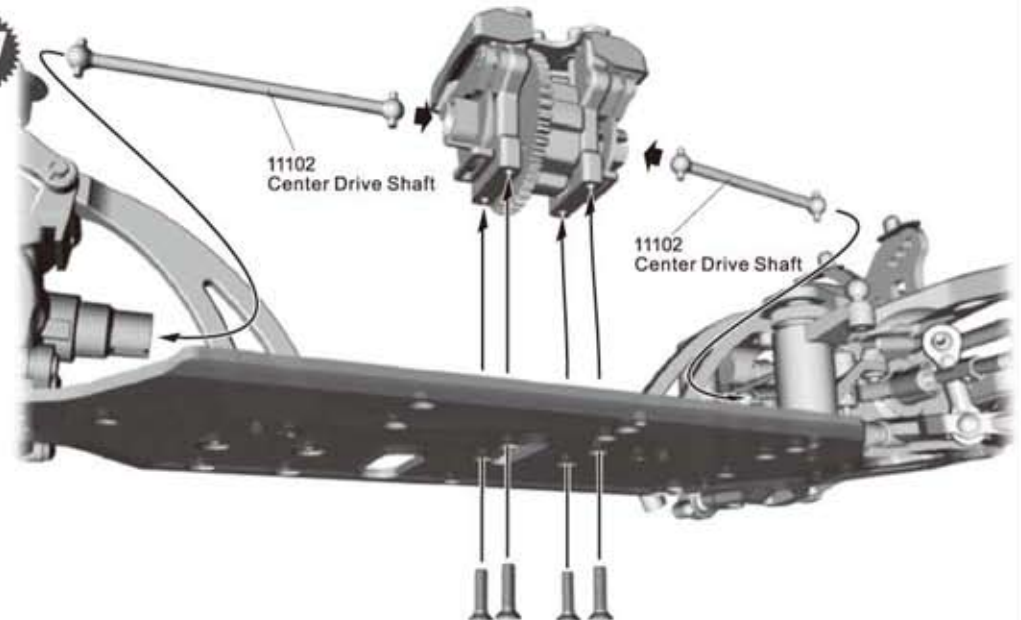
36



Assembly of Center Gear Box onto Chassis



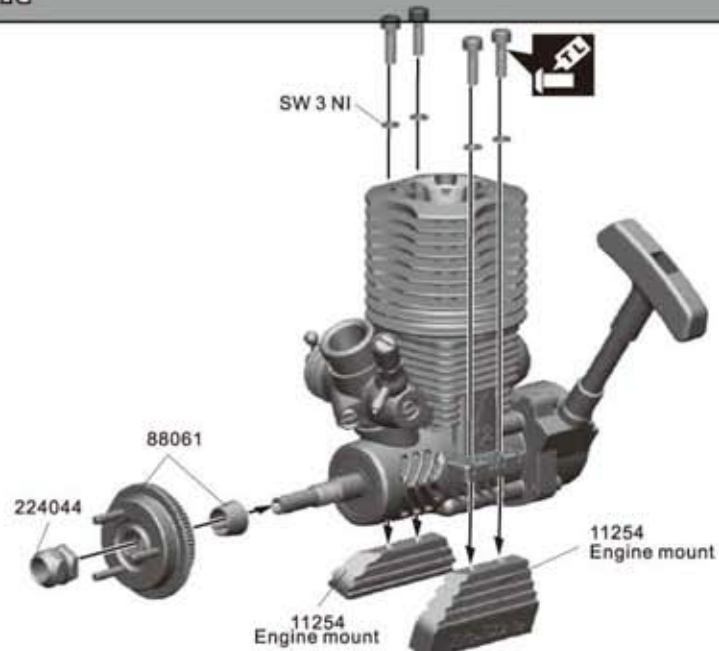
37



Assembly of Engine Mount



38

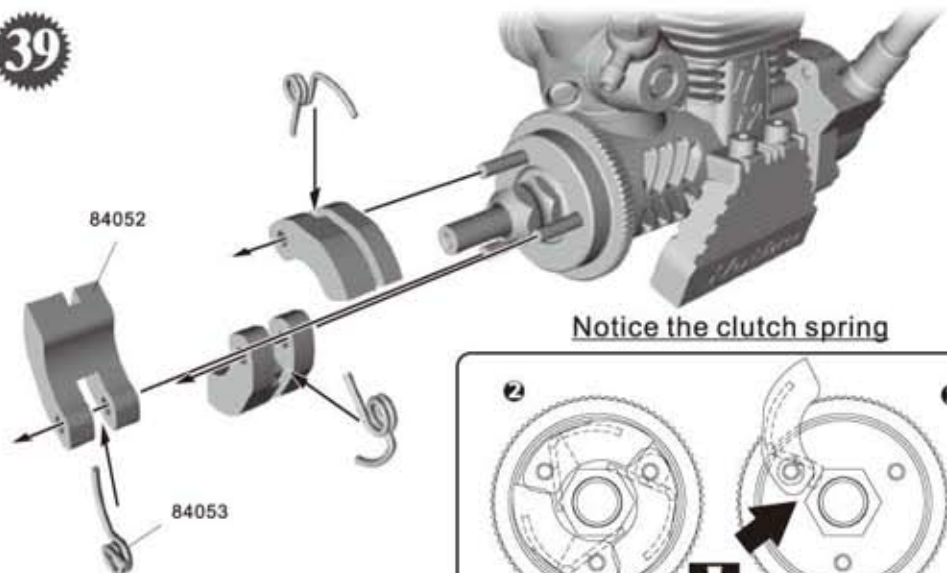


Assembly of Clutch : Step1

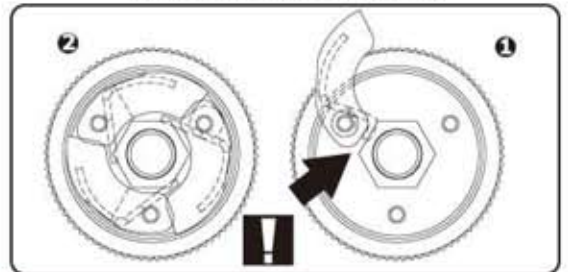
39

84052
Clutch shoe x3

84053
Clutch spring x3



Notice the clutch spring



Assembly of Clutch : Step2

40

32308
3x8mm x1
Cap screw

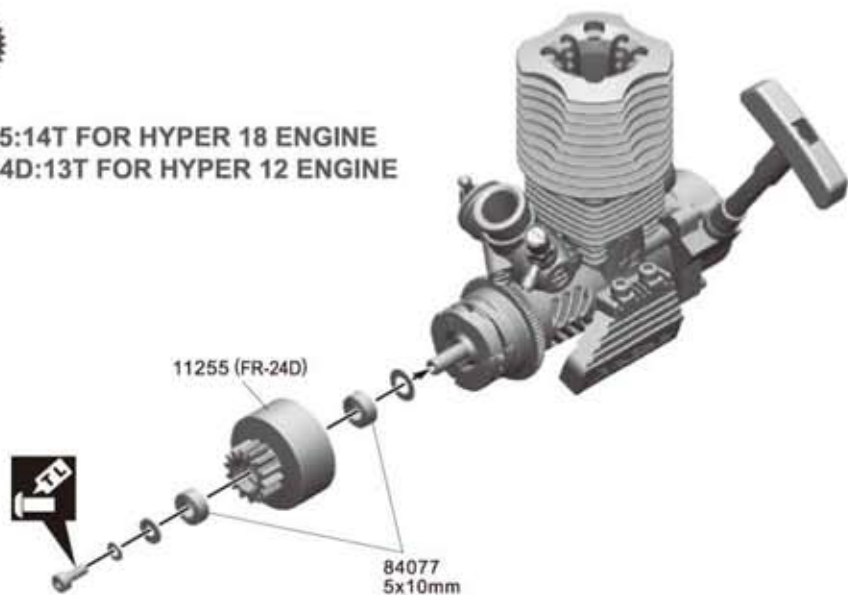
84187W
3.1x6mm x1
Washer

84187W
5x8mm x5
Washer

84077
5x10mm x2
Bearing

11255
Clutch bell-14T x1
(FR-24D) 13T

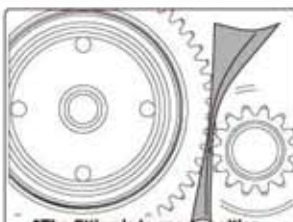
11255:14T FOR HYPER 18 ENGINE
FR-24D:13T FOR HYPER 12 ENGINE



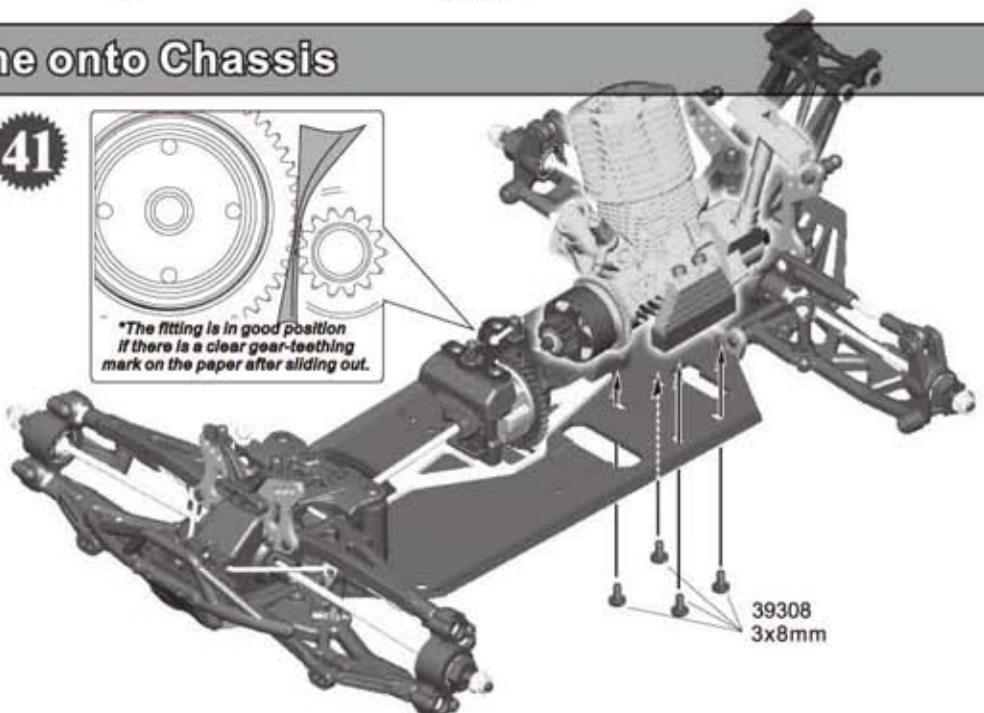
Assembly of Engine onto Chassis

41

39308
3x8mm x4
Pan head screw



*The fitting is in good position
if there is a clear gear-teething
mark on the paper after sliding out.



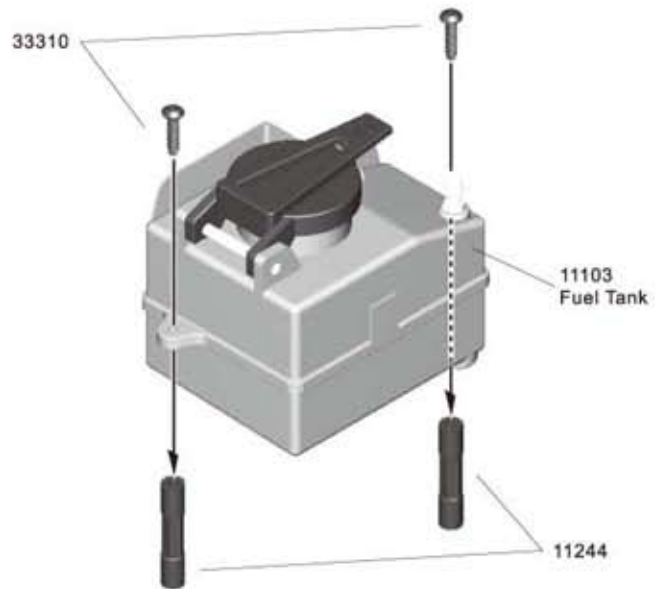
39308
3x8mm

Assembly of Fuel Tank

42



33310T
3x10mm x2
TP screw



Assembly of Fuel Tank onto Chassis

43



31310
3x10mm x2
F/H screw



Assembly of Manifold

44

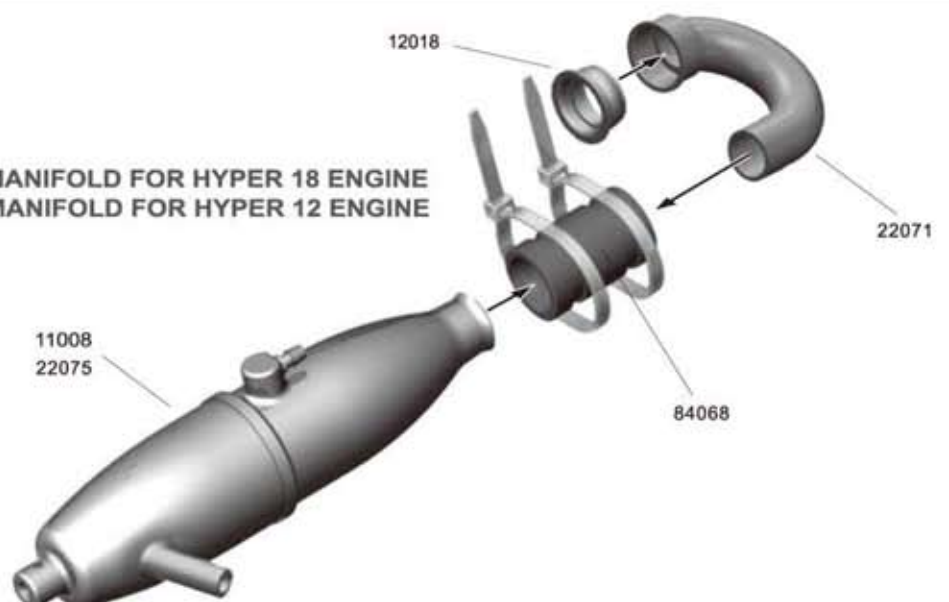


12018
Silicone tube x1



84068 x1

11008: MANIFOLD FOR HYPER 18 ENGINE
22075: MANIFOLD FOR HYPER 12 ENGINE



Assembly of Manifold and Muffler

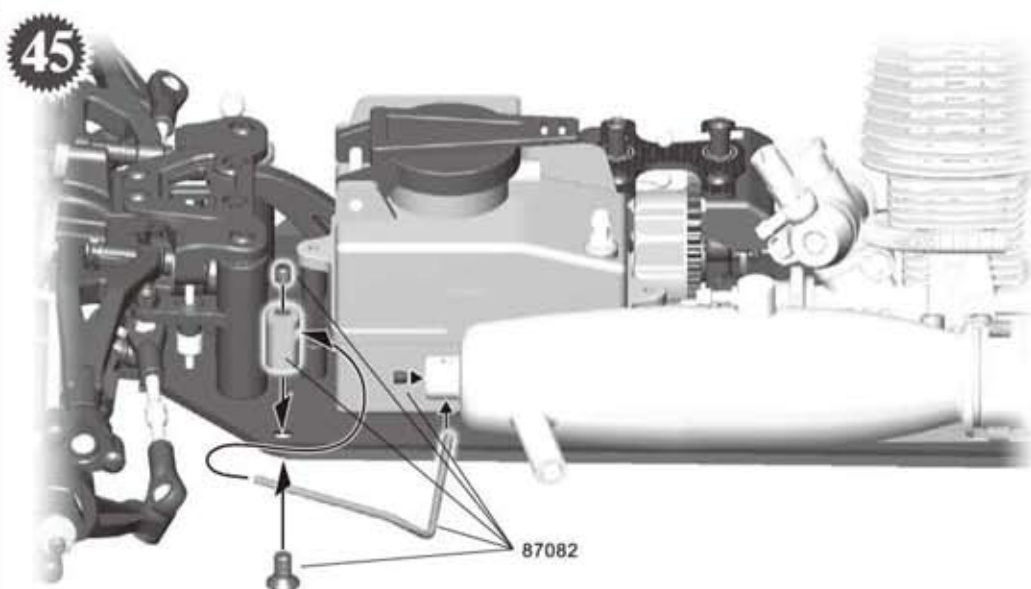
45



38404
4x4mm x2
Set screw



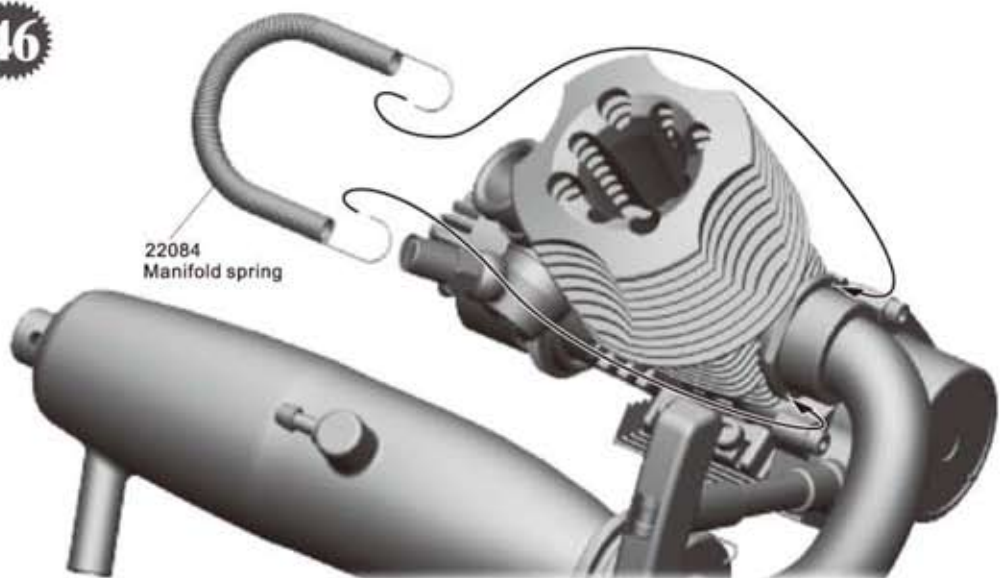
31408
4x8mm x1
Set screw



Assembly of Manifold Spring

46

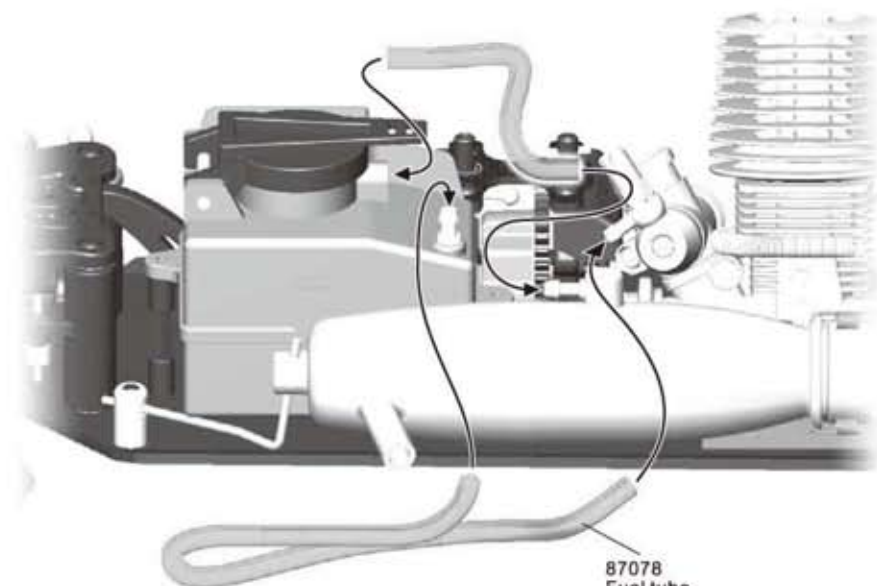
22084
Manifold spring










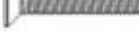
Assembly of Fuel Tube

47

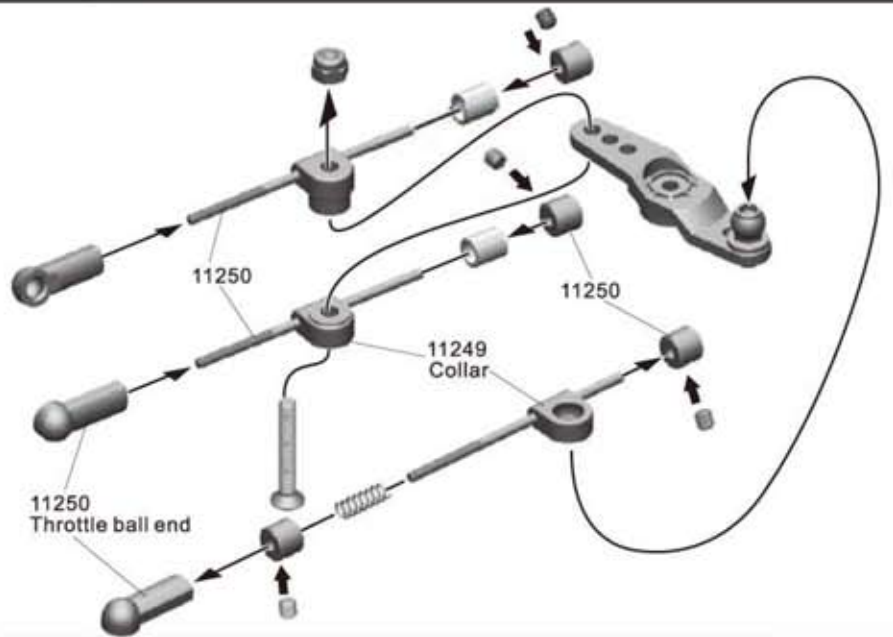
87078
Fuel tube





Assembly of Throttle Linkage

-  38303
3X3mm x4
Set screw
-  11250
Stopper x4
-  39008
M3 Nut x1
-  11250
Throttle spring x1
-  22012
Ball end x2
-  33308
3x8mm x2
Screw
-  31320
3x20mm x1
Screw
-  11250
Throttle rod x3

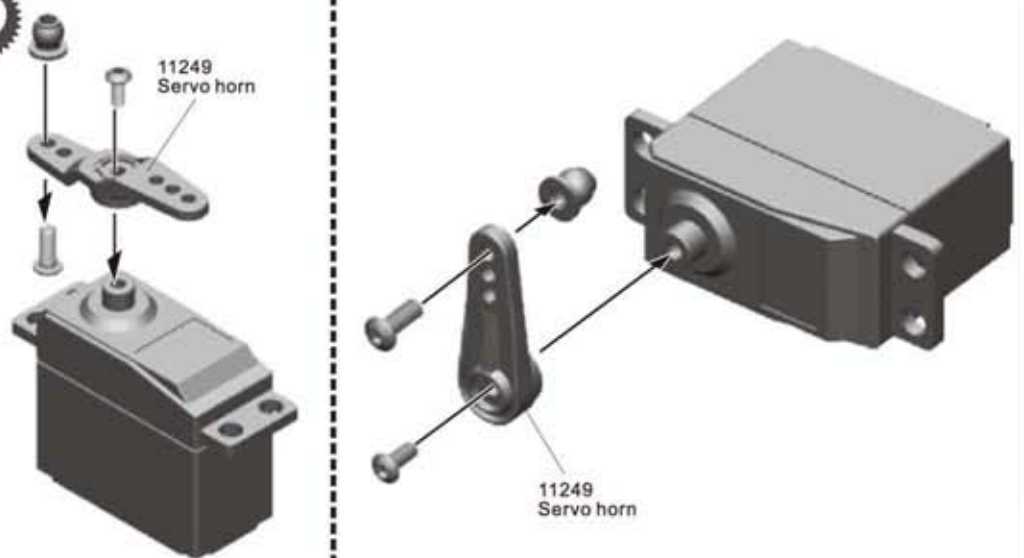
48



Assembly of Servo Horn

-  22012
Ball end x2
-  33308
3x8mm x2
Screw

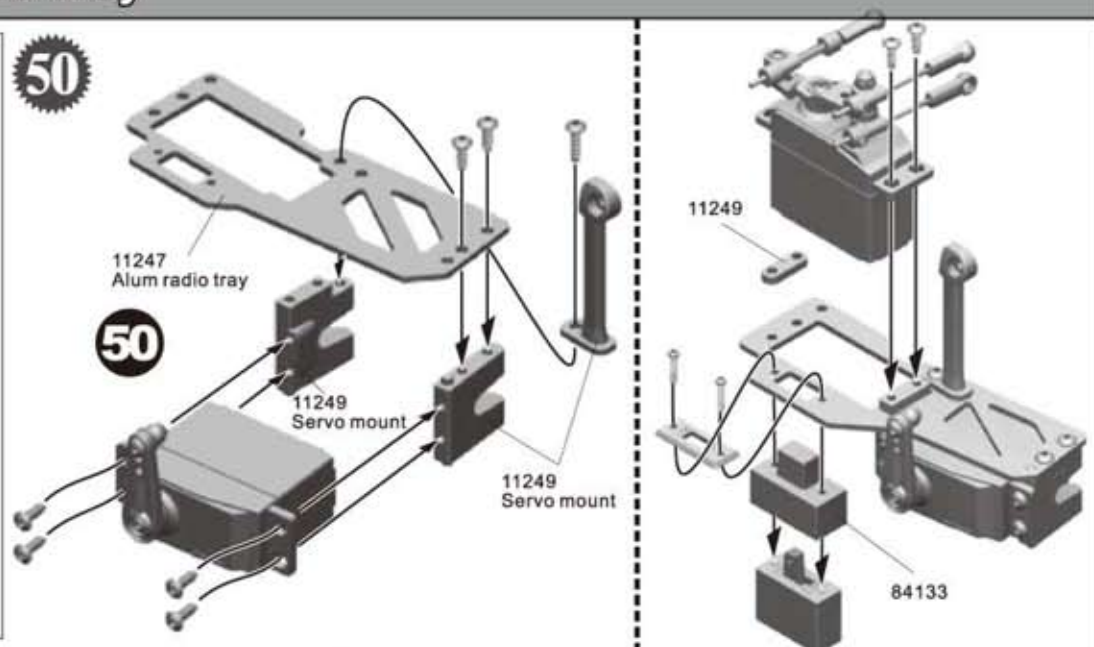
49



Assembly of Radio Tray

-  33308T
3x8mm x8
TP screw
-  33210
2x10mm x2
Screw
-  33310T
3x10mm x1
TP screw

50

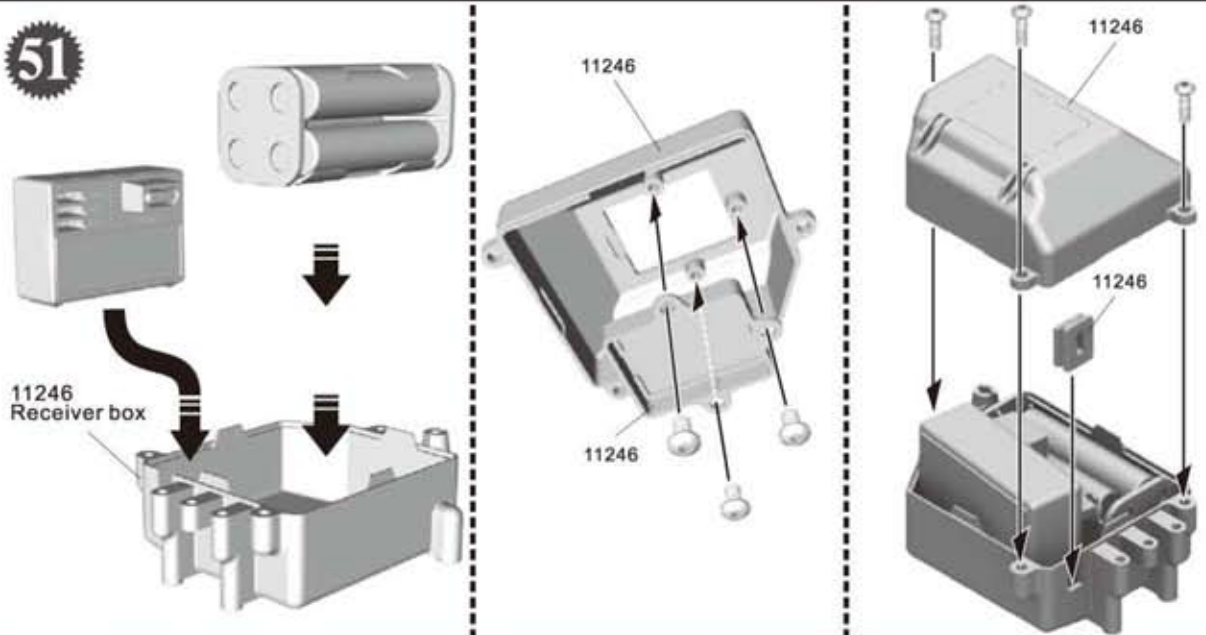


Assembly of Receiver Box

51

33305
3x5mm x3
F/H screw

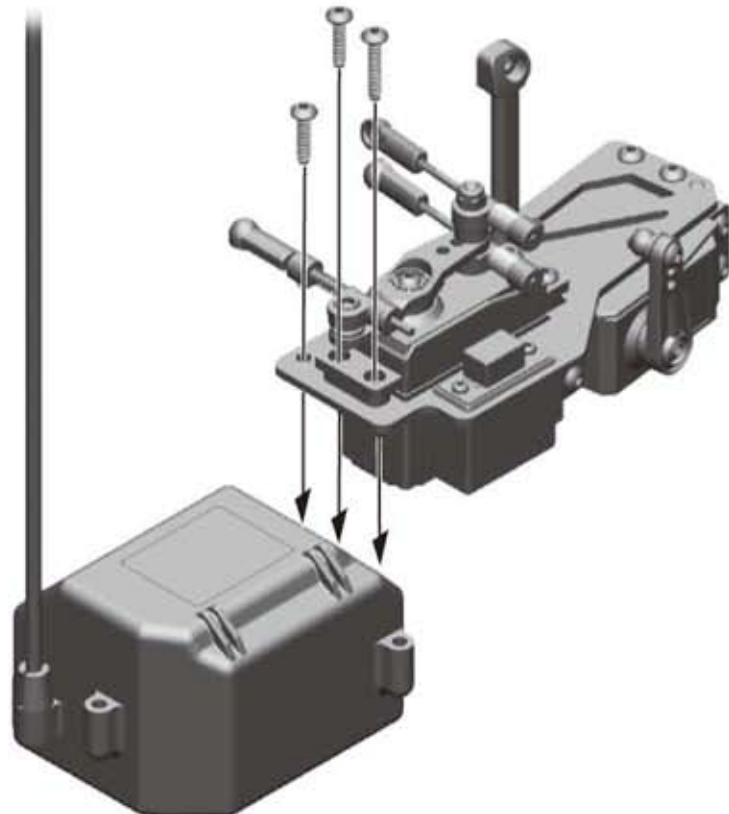
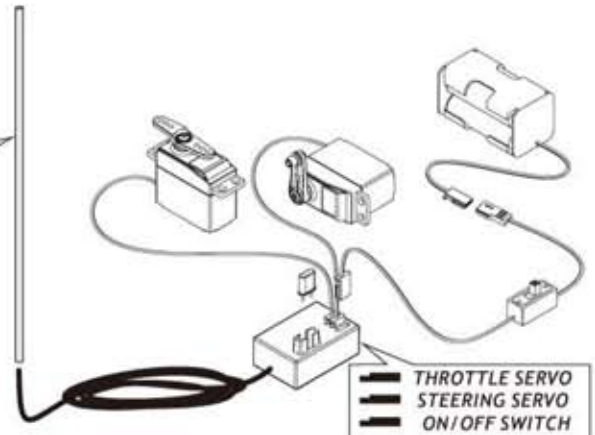
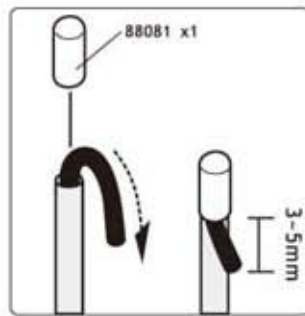
33310T
3x10mm x3
TP screw



Assembly of Receiver Box

52

88081



33310T
3x10mm x3
TP screw

Assembly of Radio Tray and Receiver Box onto Chassis

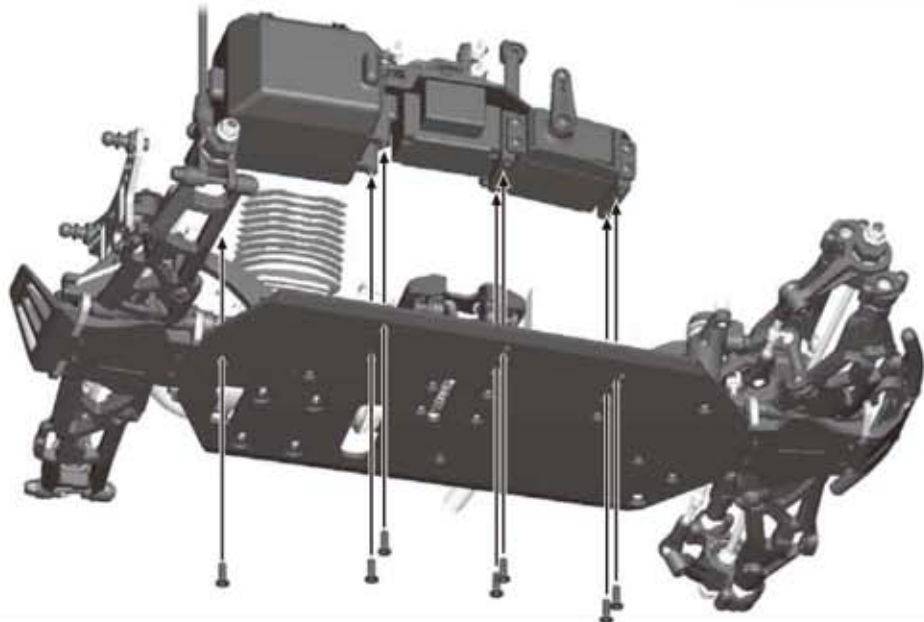
53



31308
3x8mm x4
F/H screw



31310
3x10mm x3
F/H screw

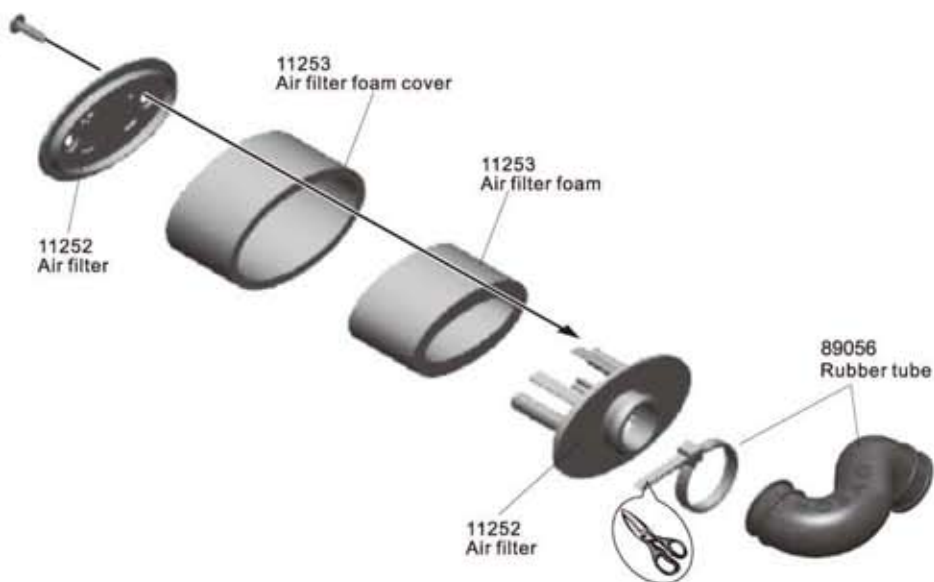


Assembly of Air Filter

54



33310T
3x10mm x1
TP screw

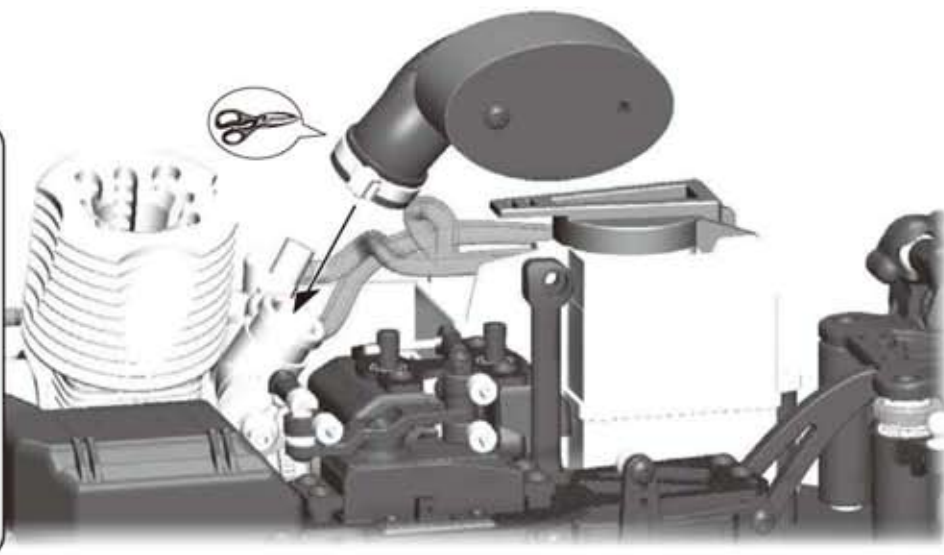
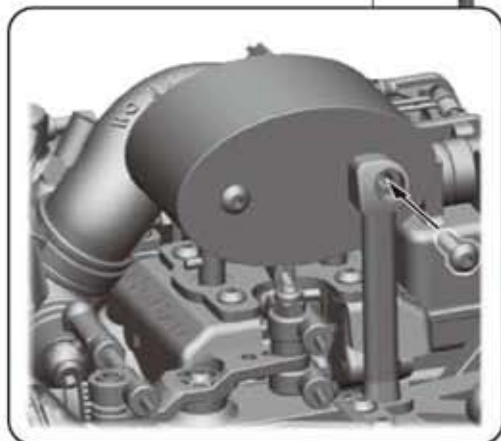


Assembly of Air Filter onto Engine

55



33310T
3x10mm x1
TP screw



Assembly of Steering Servo Rod

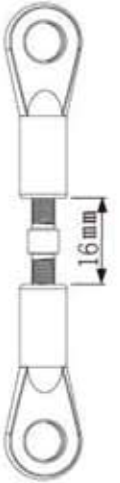
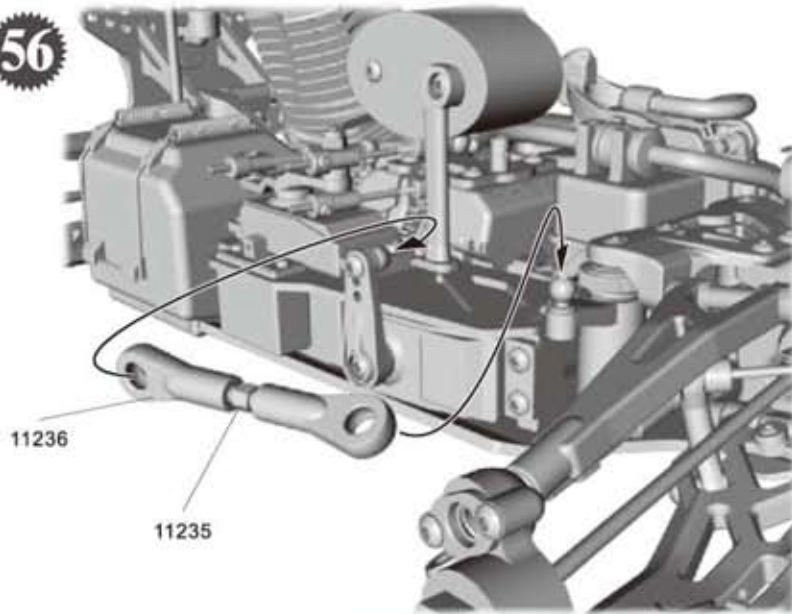


11236
Turnbuckle rod end x2



11235
3x36.5mm
Turnbuckle rod for
Rear upper Arm x1

56



Assembly of Front Shocks : Step1



11045
Shock Collar x4



11045
Thick Shock Collar x4



11045
O-ring x8

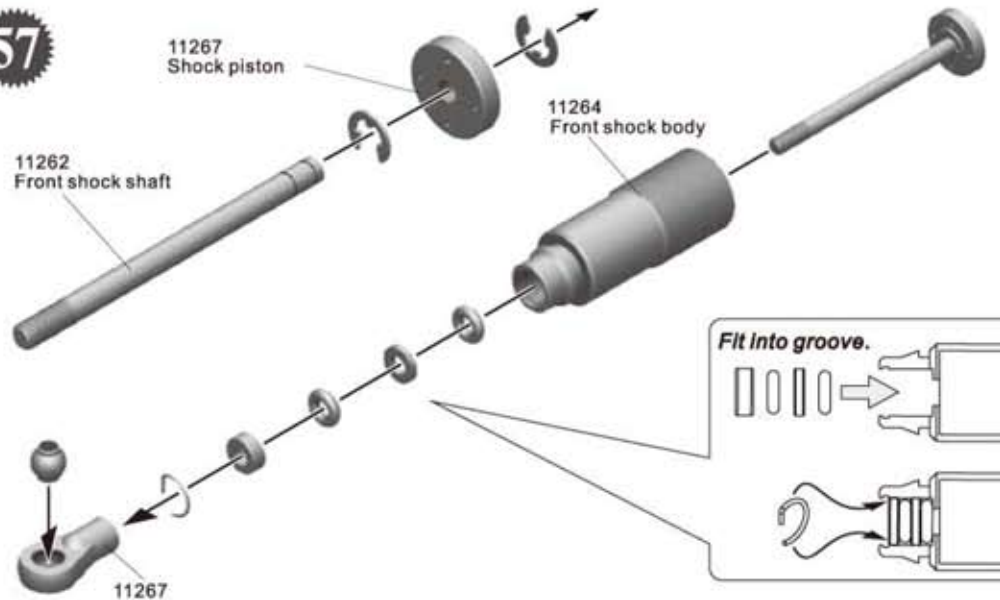


11045
G-clip x4



39019
C-clip x8

57



Assembly of Rear Shocks : Step2



11045
Shock Collar x4



11045
Thick Shock Collar x4



11045
O-ring x8

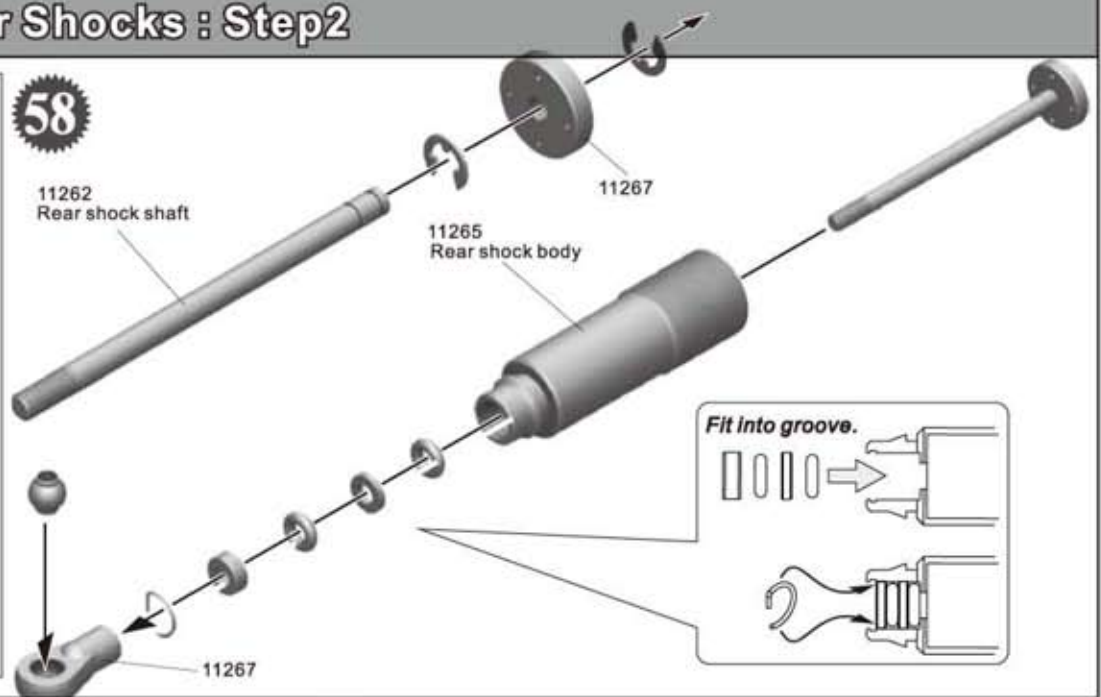


11045
G-clip x4

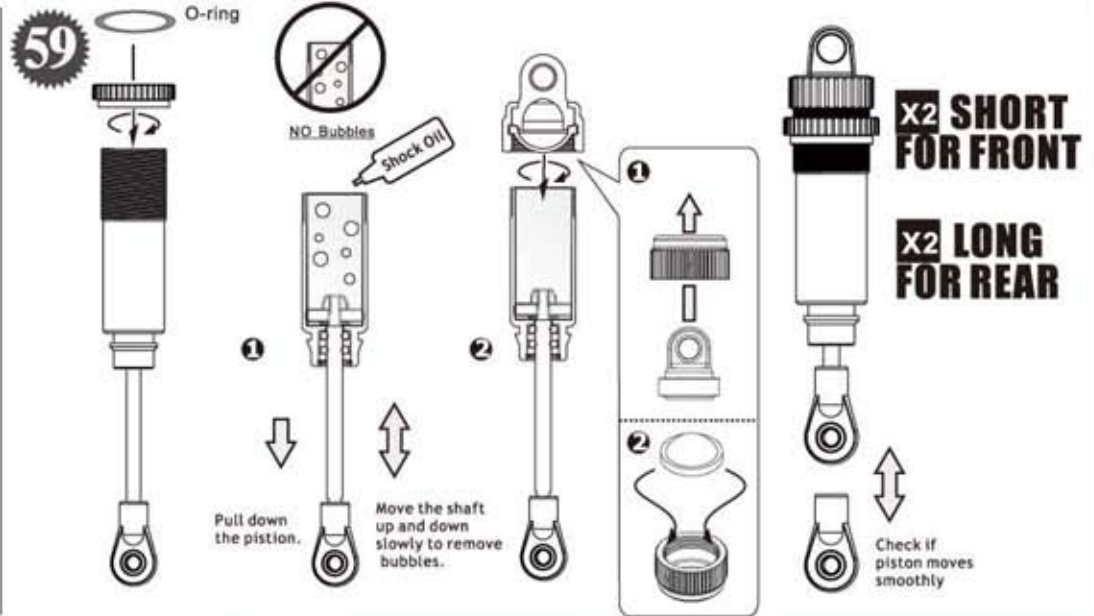
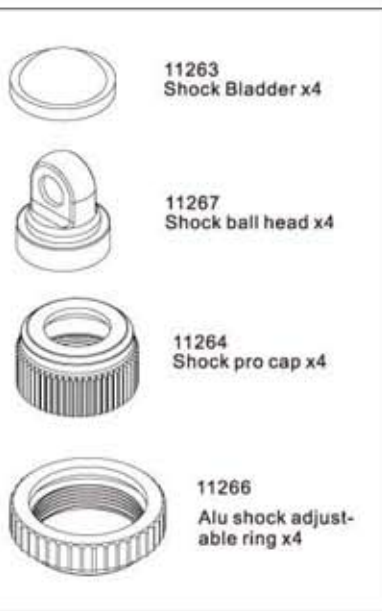


39019
C-clip x8

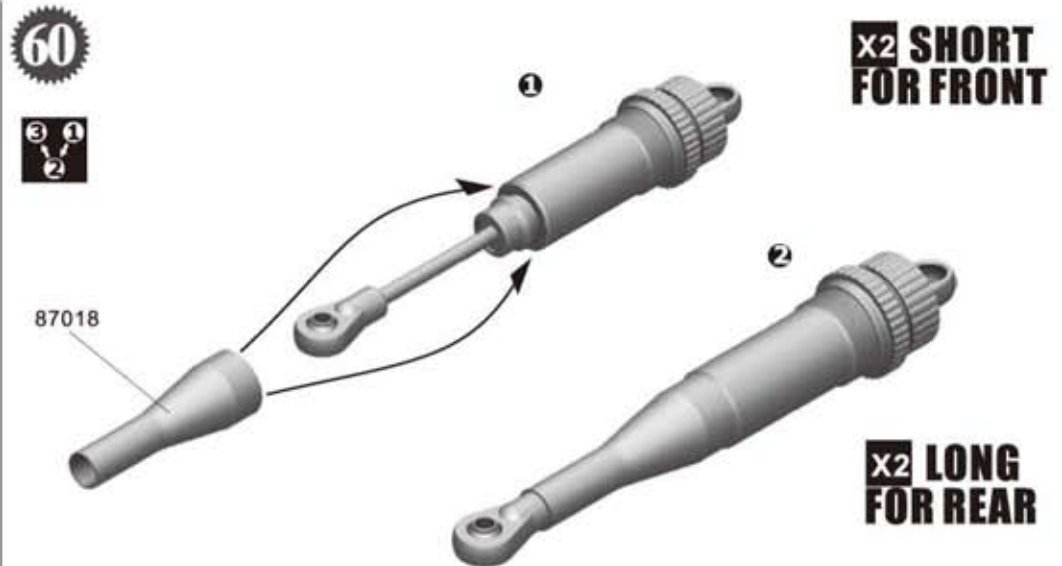
58



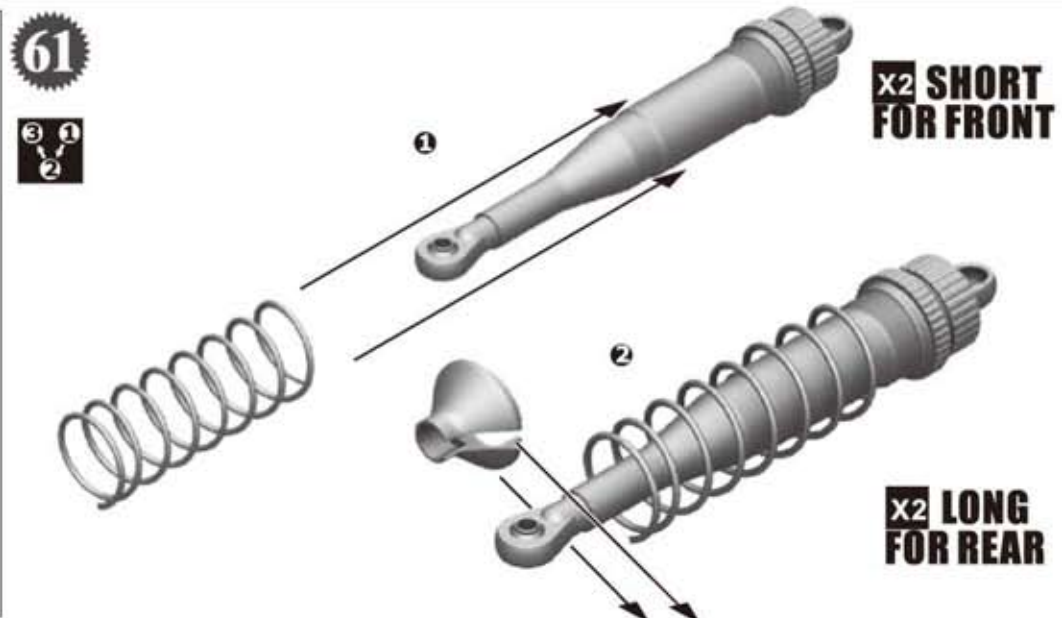
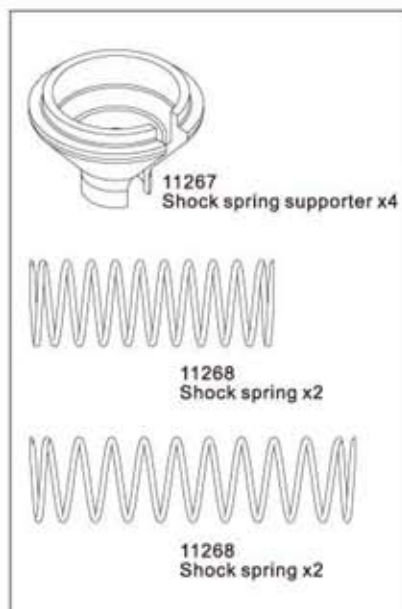
Assembly of Front and Rear Shock : Step3



Assembly of Shock Shaft Dust Covers



Assembly of Front and Rear Shock Springs



Assembly of the Front Shock Absorber



87031
Steel shock ball x2

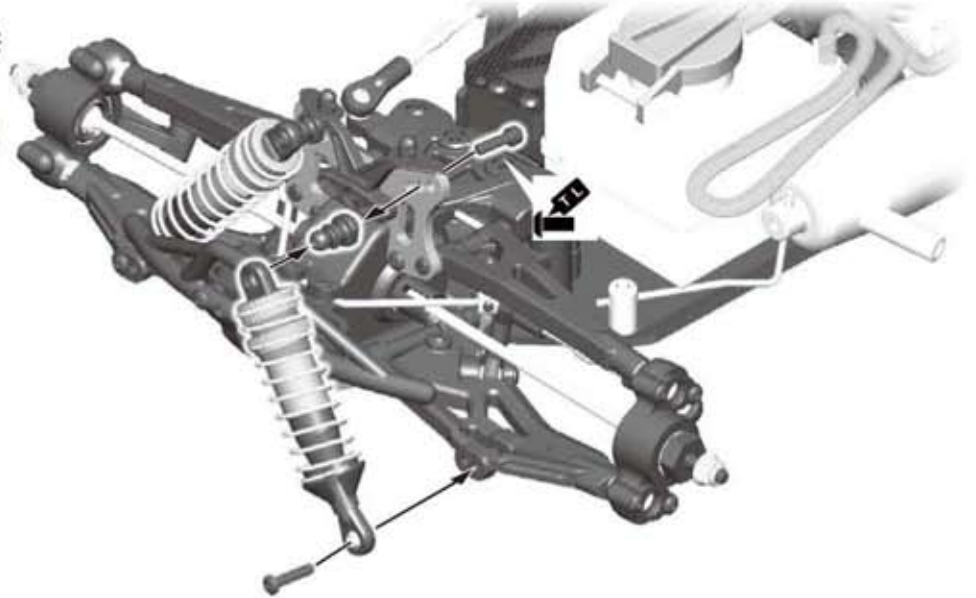


33315
3x15mm x2
Screw



32312
3x12mm x2
Cap screw

62
LR

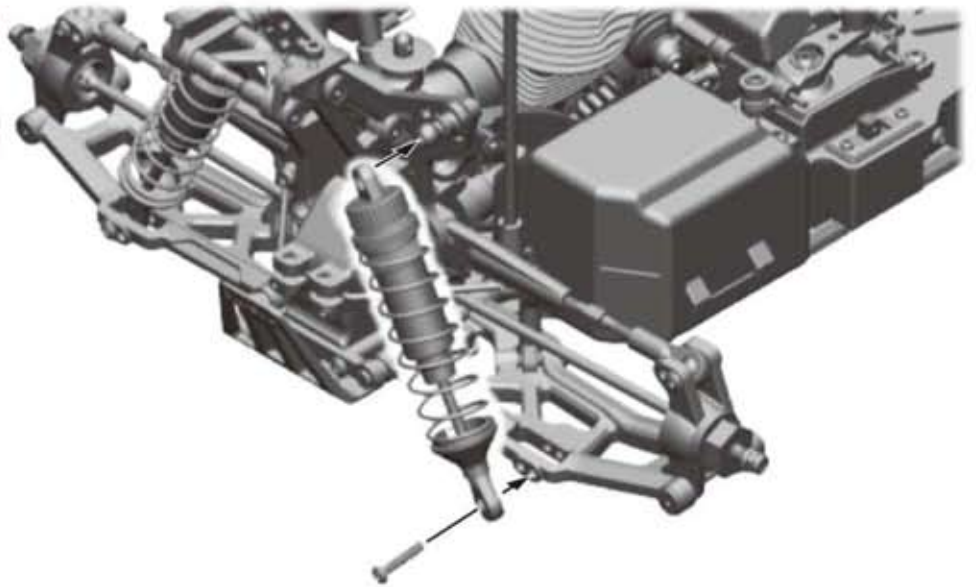


Assembly of the Rear Shock Absorber



33315
3x15mm x2
Screw

63
LR

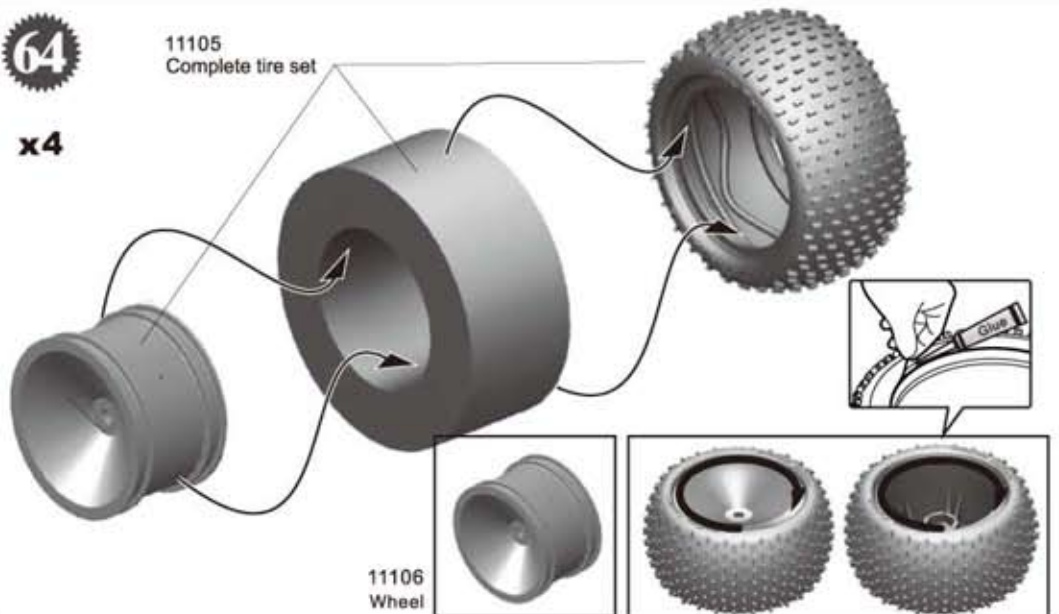


Assembly of Wheels and Tires

64

x4

11105
Complete tire set



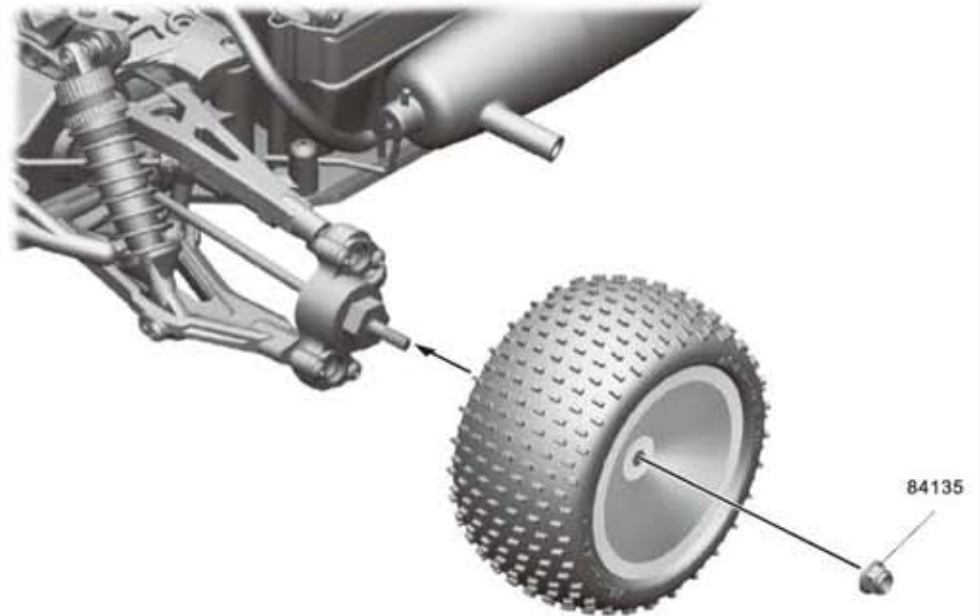
Assembly of the Tires onto Front Knuckles



84135
Nylon nut 4mm x2

65

LR



Assembly of the Tires onto Rear Hubs



84135
Nylon nut 4mm x2

66

LR



Assembly of the Wing

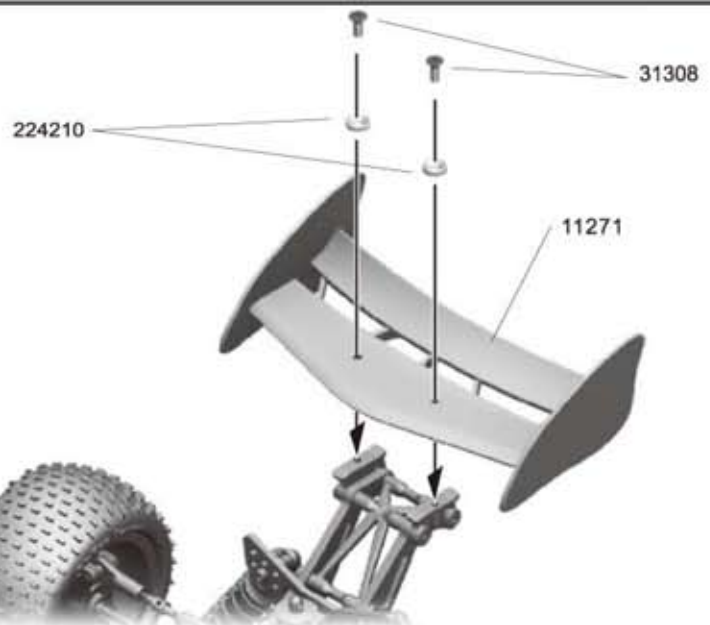


31308
3x8 mm x3
F/H screws



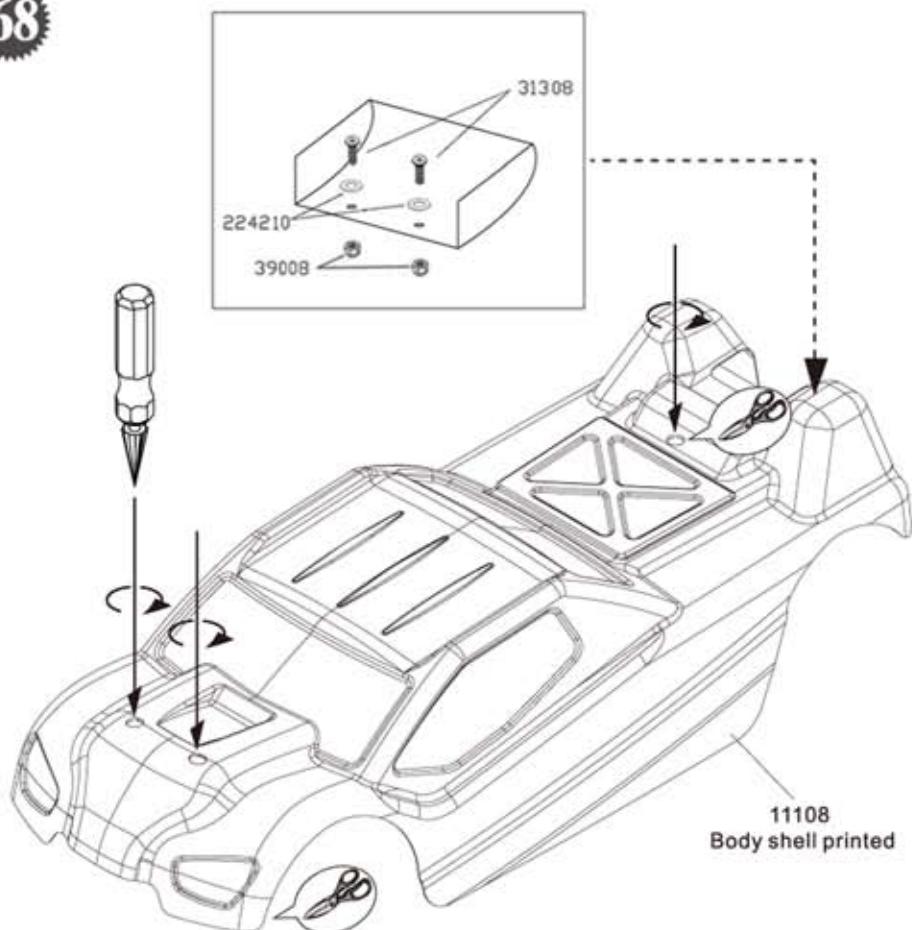
224210
M3 Alu. washer x4

67



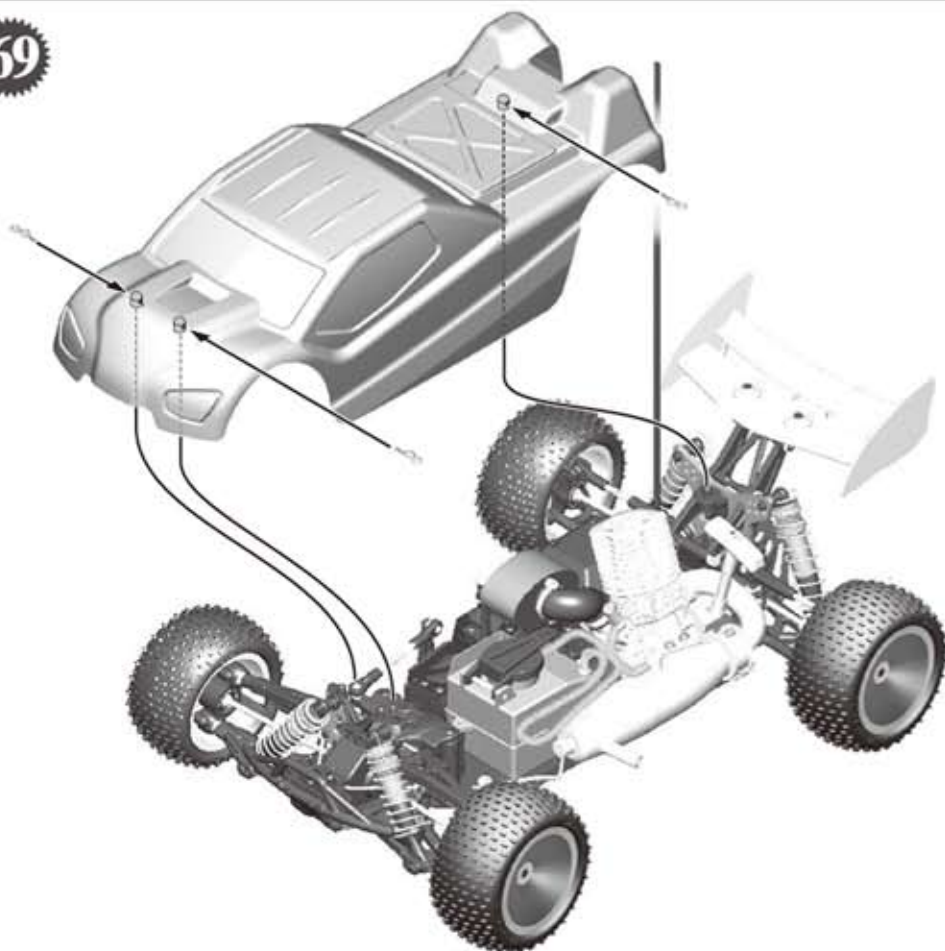
Assembly of the Body Shell Mounting

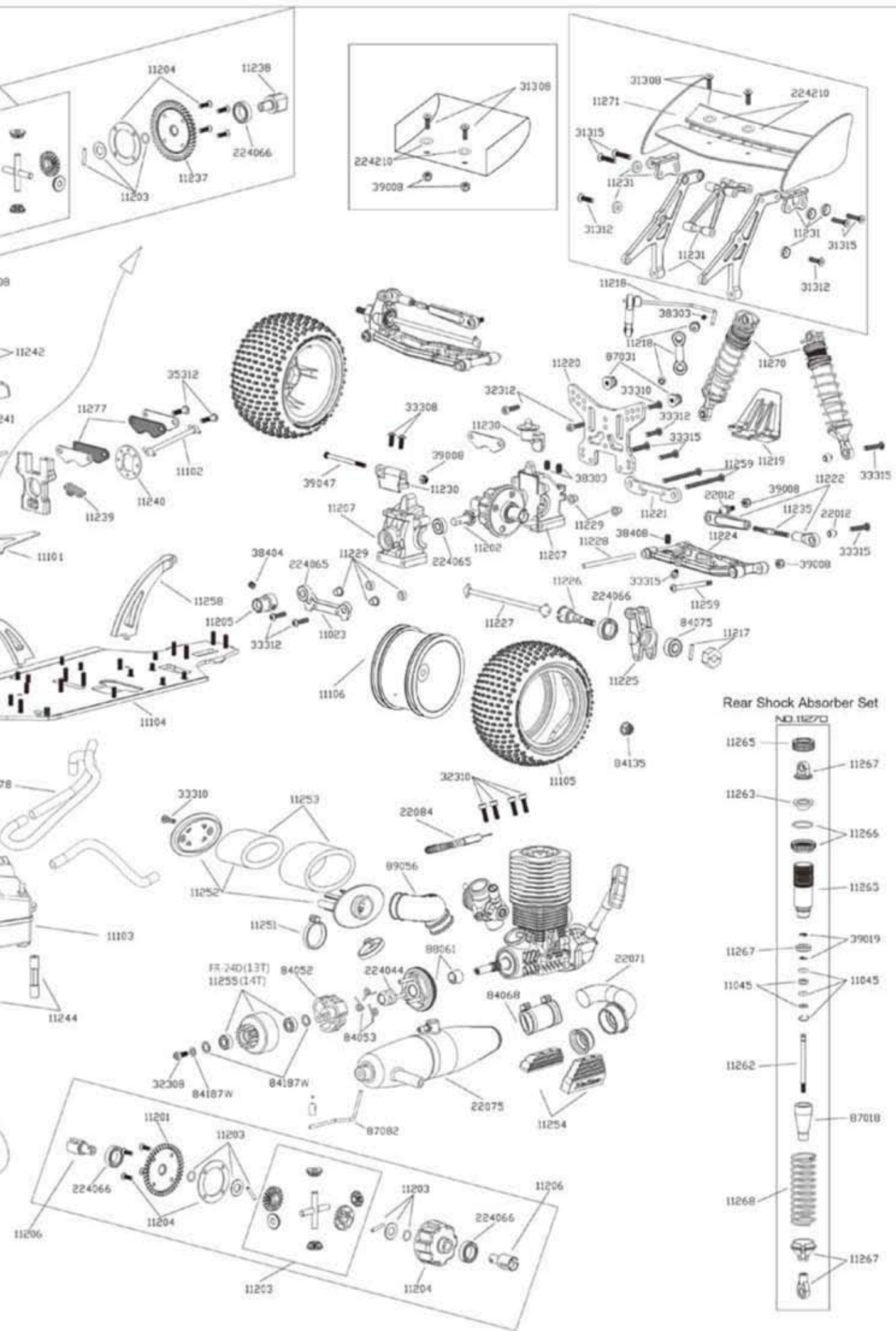
68



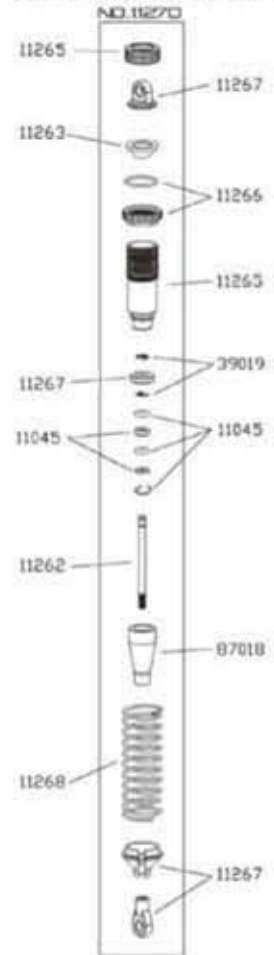
69

84134
Snap pin x3


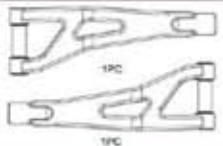
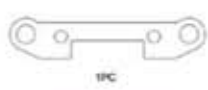
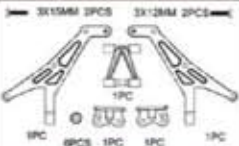
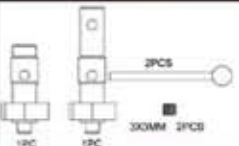

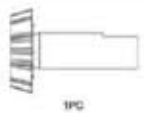
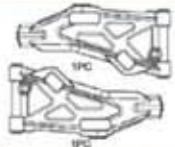
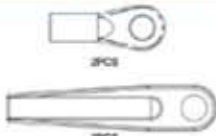
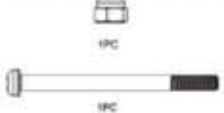
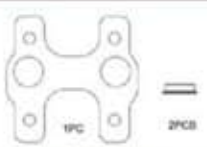
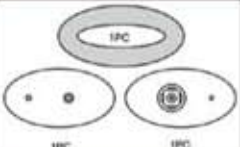
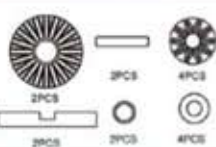


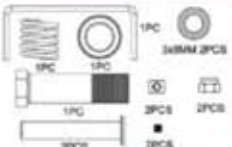

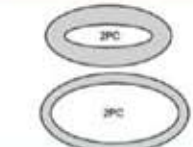
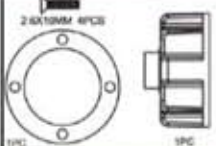
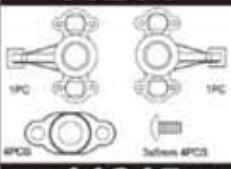
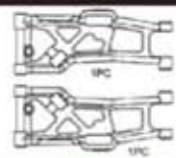
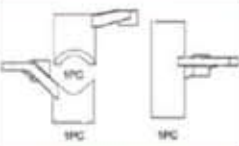

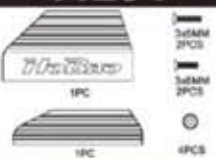

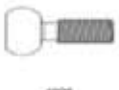


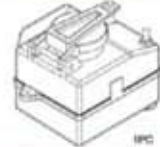



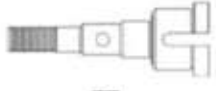

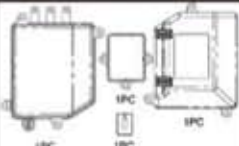

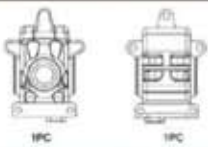



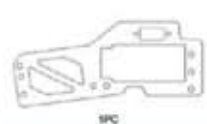
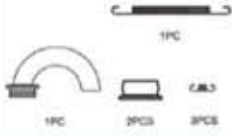
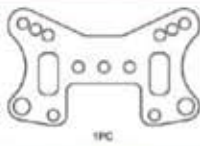
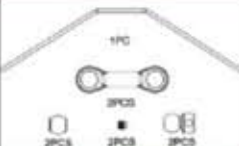


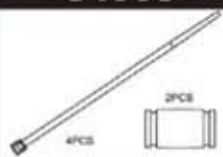
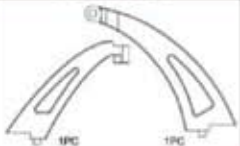
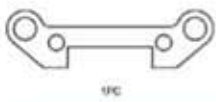


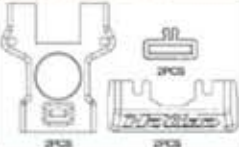
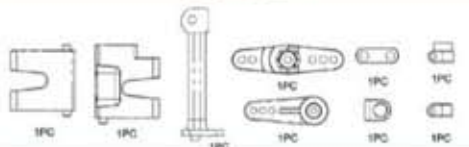
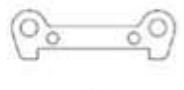

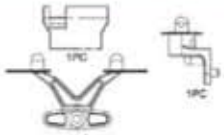
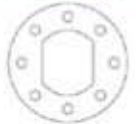
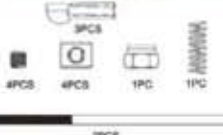





Rear Shock Absorber Set





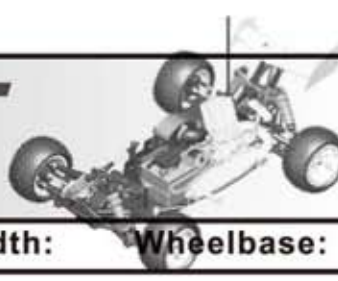
11201  1PC	11211  1PC	11221  1PC	11231  3x15MM 2PCS, 3x12MM 2PCS, 1PC, 8PCS, 1PC, 1PC, 1PC	11241  2PCS, 1PC, 1PC, 30MM 2PCS	89056  2PCS, 1PC
11202  1PC	11212  1PC	11222  2PCS, 2PCS	11232  1PC, 1PC	11242  1PC, 2PCS	11252  1PC, 1PC
11203  2PCS, 2PCS, 4PCS, 2PCS, 2PCS, 4PCS	11213  1PC	11223  2PCS	11233  1PC, 1PC, 3x3MM 2PCS, 1PC, 1PC, 2PCS, 2PCS, 2PCS, 2PCS	11101  1PC	11253  2PCS, 2PCS
11204  2x10MM 4PCS, 1PC	11214  1PC, 1PC, 1PC, 4PCS, 2x5mm 4PCS	11224  1PC	11234  1PC, 1PC	11244  2PCS	11254  1PC, 2PCS, 2PCS, 1PC, 4PCS
11205  2PCS, 6x4mm 2PCS	11215  4PCS	11225  1PC, 1PC	11235  2PCS	11103  1PC	11255  14T, 1PC
11206  2PCS	11216  2PCS	11226  2PCS	11236  8PCS	11246  1PC, 1PC, 1PC	22084  1PC
11207  1PC, 1PC	11217  4PCS, 4PCS	11227  2PCS	11237  1PC	11247  1PC	22071  1PC, 2PCS, 2PCS
11208  1PC	11218  1PC, 2PCS, 2PCS, 2PCS	11228  30MM 2PCS, 30.5MM 8PCS	11238  2PCS	84068  4PCS, 2PCS	11258  1PC, 1PC
11209  1PC	11219  1PC, 1PC, 1PC	11229  12PCS, 1.5MM 8PCS, 2MM 8PCS	11239  2PCS, 2PCS, 2PCS	11249  1PC, 1PC, 1PC, 1PC, 1PC, 1PC, 1PC, 1PC	
11023  1PC	11220  1PC	11230  1PC, 1PC	11240  2PCS	11250  3PCS, 4PCS, 1PC, 1PC	11259  Shaft, 3x35mm 2PCS

HYPER III NITRO

1/10 HYPER TRANSFORMER TRUCK



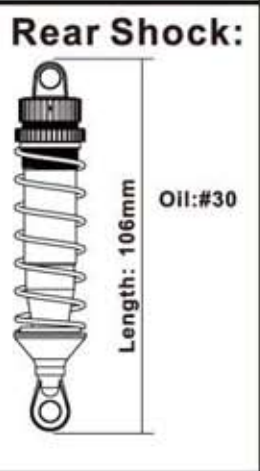
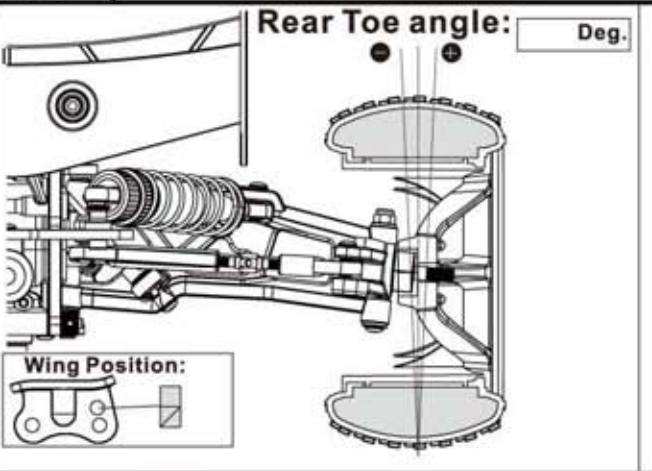
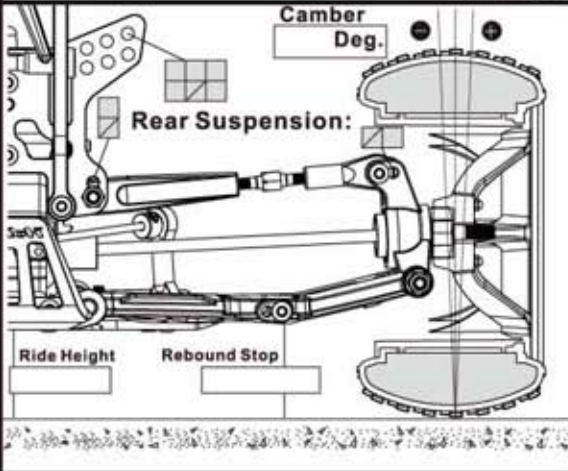
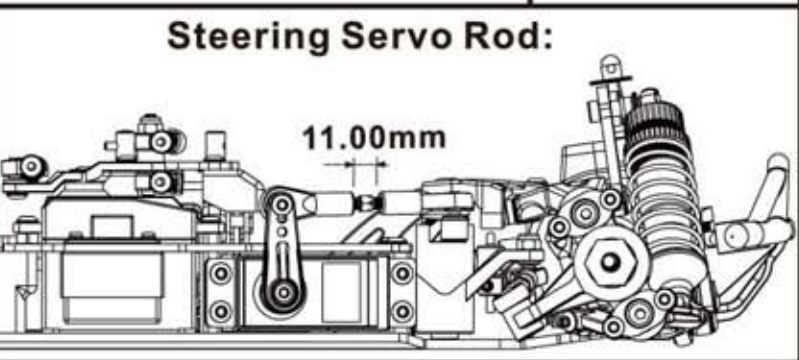
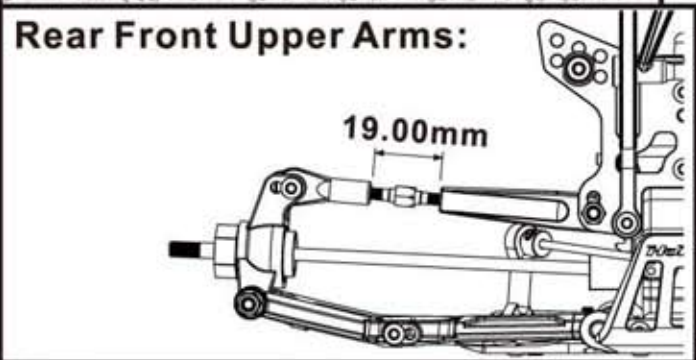
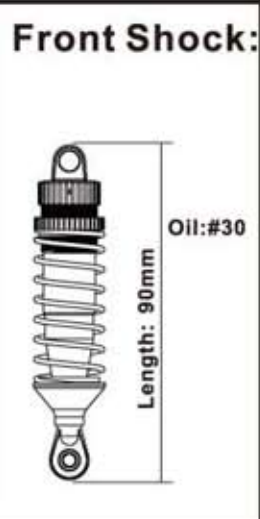
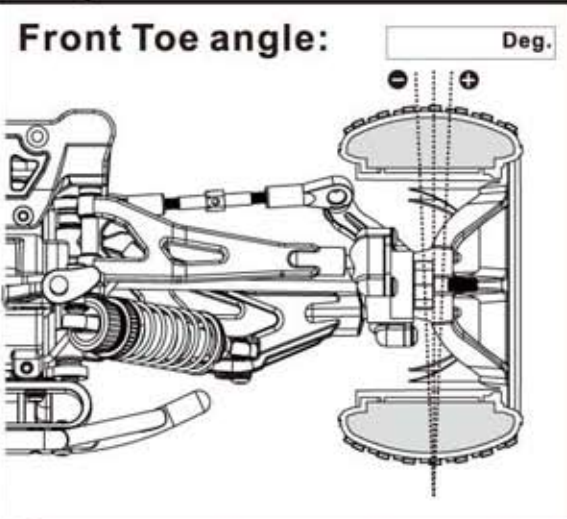
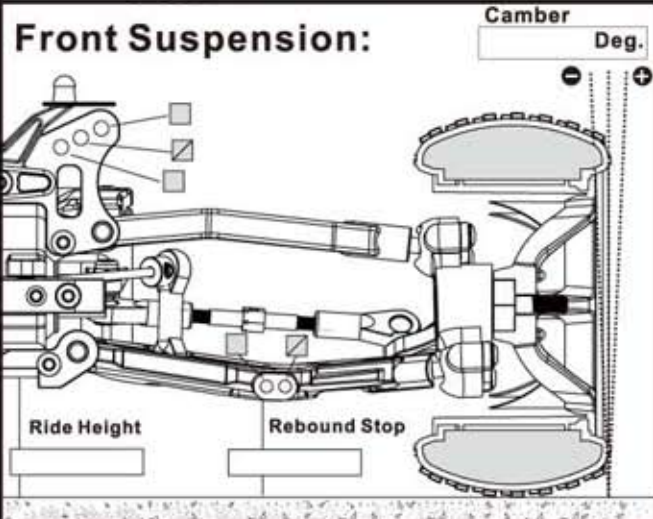
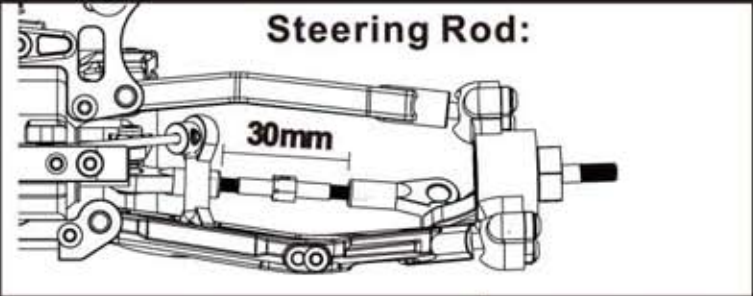
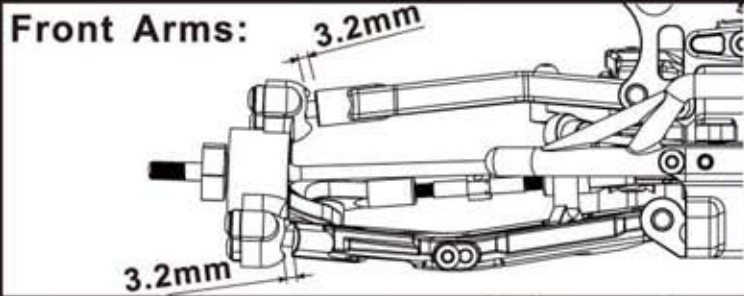
11102	11270	22012	84053		OPTIONAL 11281
1PC 1PC	2PCS 1.2MM 6PCS 2PCS 2.8MM 4PCS 2PCS 2PCS 2PCS	2PCS 2PCS 4PCS	3PCS		4PCS
11104	11271	11045	84075		11107
1PC	M3x11 2PCS 3PCS 1PC	8PCS 8PCS 6PCS	6x13MM 4PCS		CLEAR BODY 1PC
11262	11108	22075	84077		224064
2PCS 2PCS	PRINTED BODY 1PC	1PC	6x13MM 4PCS		5x8mm Bearing
11263	84134	88061	88081		88087
4PCS	8PCS	1PC	1PC 1PC 4PCS 2PCS		2PCS
11264	11106	224044	84133		11131
2PCS 2PCS	4PCS	2PCS	3PCS		1PC
11265	11105	224065	84135		11132
2PCS 2PCS	4PCS	6x11MM 8PCS	6MM 10PCS		1PC
11266	87082	224066	84187-W		11133
Oring 4PCS 4PCS	BI 1PC 1PC 1PC	10x15MM 4PCS	3x6MM 6PCS 5x8MM 6PCS		1PC
11267	11277	224210	87018		
4PCS 4PCS 4PCS 1.2MM 4PCS 4PCS 2.8MM 4PCS	3x12 mm x 4 4PCS 6PCS	3MM 10PCS	4PCS		
11268	11278	84052	87031		
2PCS 2PCS	5x8mm Bushing	3PCS	4PCS		
11269	11279		87078		
2PCS 2PCS 1.2MM 4PCS 2PCS 2.8MM 4PCS 2PCS 2PCS 2PCS	M2.6x10 M4x8 M3x6 M3x8 M3x10 M3x12 M3x15 M3x20 M3x8 M3x10 M3x12 M3x15 M3x3 M4x4 M4x5 M4x8	M2x10 M3x10 M3x35 M3x5 M3x12 M3x8 M3x15 M3x8 M3x10	2PCS		



Name:
Date:
Track:

Length: Front width: Rear width: Wheelbase: Height: Weight:

Engine	Diff.Oil	Clutch bell
Type:	Front:Grease	13T <input type="checkbox"/> 14T <input checked="" type="checkbox"/> other:
Gasket:	Center:Oil Grease	Spur gear
Plug:	Rear:Grease	42T <input checked="" type="checkbox"/> other:
Fuel:		





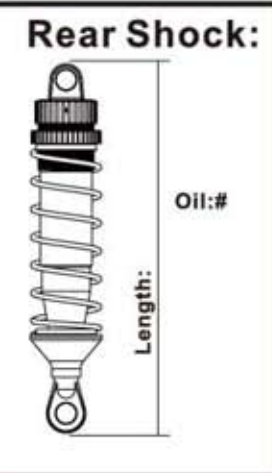
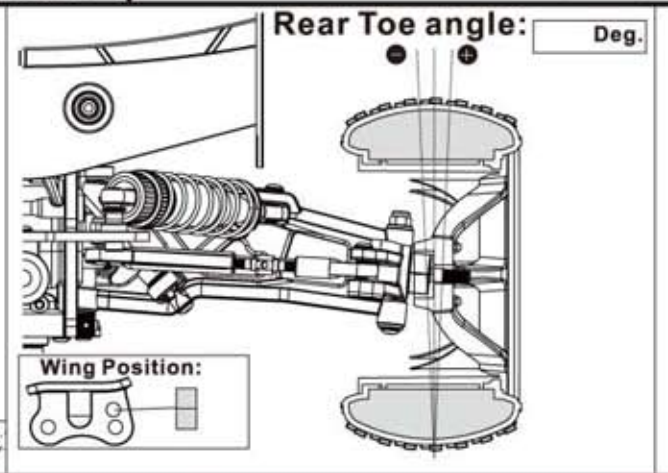
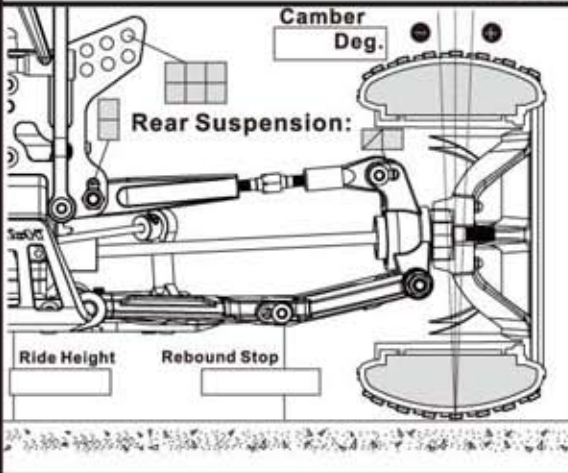
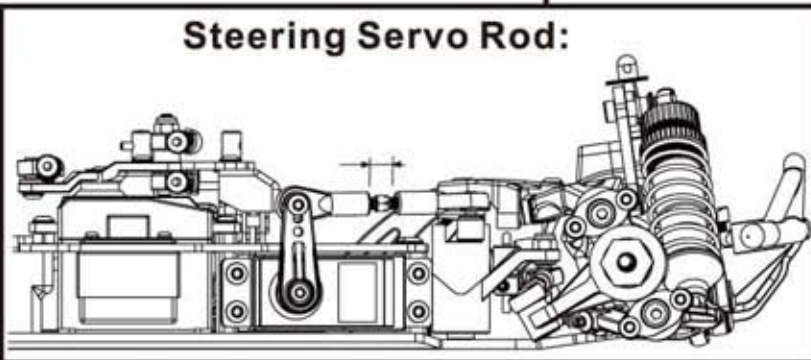
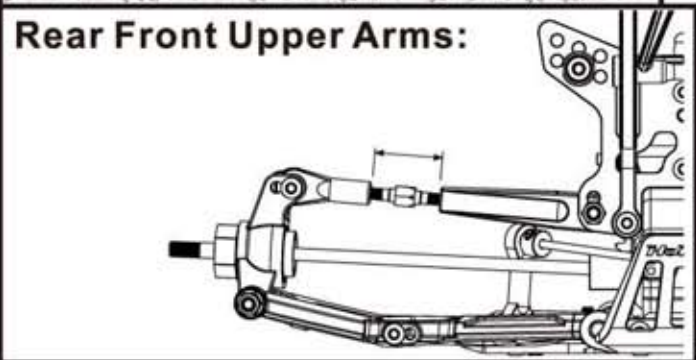
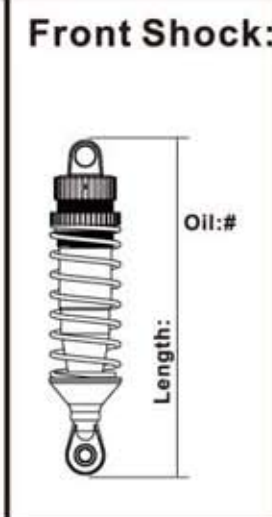
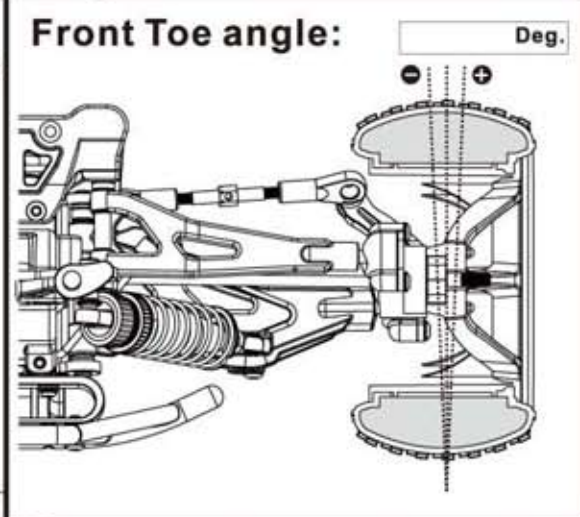
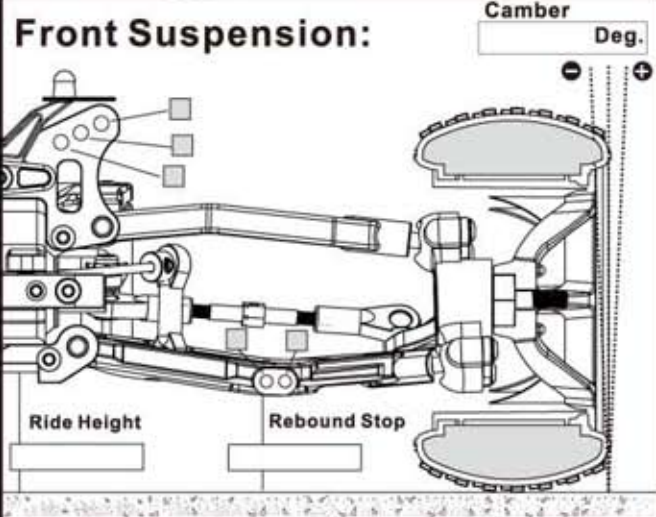
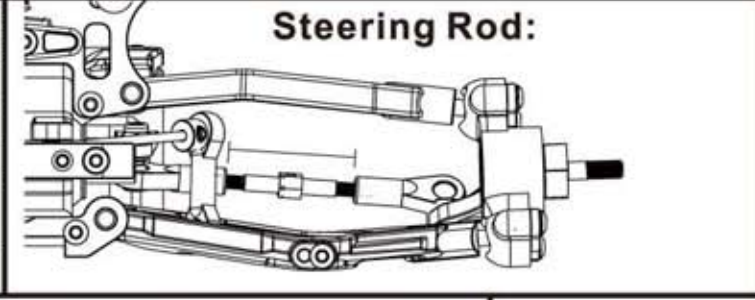
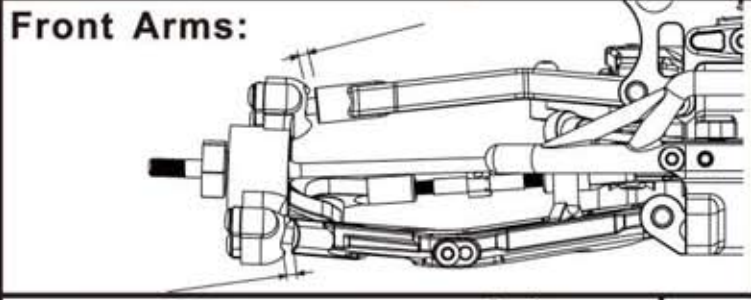
Name: _____
 Date: _____
 Track: _____

Length: _____ Front width: _____ Rear width: _____ Wheelbase: _____ Height: _____ Weight: _____

Engine
 Type: _____
 Gasket: _____
 Plug: _____
 Fuel: _____

Diff.Oil
 Front: _____
 Center: _____
 Rear: _____

Clutch bell
 13T 14T other: _____
 Spur gear
 42T other: _____





STANDARD PARTS					
11101	TT ALUM. CENTER DIFF CHASSIS PLATE	11239	CENTER DIFF MOUNT	87078	FUEL TUBE
11102	TT ALUM. CENTER DRIVE SHAFT	11240	BRAKE DISC	87082	MUFFLER STAY SET
11103	TT FUEL TANK	11241	BRAKE CAM SET	88061	FLYWHEEL
11104	TT NITRO CHASSIS	11242	ALUM. CENTER DIFF PLATE	88081	ANTENNA PIPE & STRIP
11105	TT TRUCK COMPLETE TIRE SET	11244	FUEL TANK POST & TANK LID PULL	89056	AIR FILTER TUBE
11106	TT WHEEL	11246	RECEIVER BOX		SCREW
11023	TT F/R ALUM SUSPENSION PLATE	11247	ALUM. RADIO TRAY	31210	SCREW SET 2.6*10mm
11045	SHOCK REPAIR SET	11249	SERVO MOUNT & SERVO HORN SET	31306	HEX SOCKET HEAD SCREWS 3*6mm
11108	TT NITRO PRINTED BODY- BLUE	11250	THROTTLE LINKAGE SET	31308	HEX SOCKET HEAD SCREWS 3*8mm
11201	CROWN GEAR	11252	AIR FILTER SET	31310	HEX SOCKET HEAD SCREWS 3*10mm
11202	DRIVE PINION GEAR	11253	AIR FILTER FOAM	31312	HEX SOCKET HEAD SCREWS 3*12mm
11203	BEVEL GEAR	11254	ENGINE MOUNT	31315	HEX SOCKET HEAD SCREWS 3*15mm
11204	DIFF CASE W/GASKET	11255	CLUTCH BELL 14T	31320	HEX SOCKET HEAD SCREWS 3*20mm
11205	STEEL JOINT CUP	11258	FR/RR CHASSIS BRACE SET	31408	HEX SOCKET HEAD SCREWS 4*8mm
11206	F/R DIFF OUTPUTS	11259	3*35mm REAR ARM SHAFT	32308	HEX SOCKET HEAD CAP SCREWS 3*8mm
11207	GEAR BOX CASE	11262	FR/RR SHOCK SHAFTS	32310	HEX SOCKET HEAD CAP SCREWS 3*10mm
11208	FRONT SHOCK MOUNT	11263	SHOCK BLADDER	32312	HEX SOCKET HEAD CAP SCREWS 3*12mm
11209	ALUM. FRONT SUSPENSION BRACE	11264	THREADED FRONT SHOCK BODY	32315	HEX SOCKET HEAD CAP SCREWS 3*15mm
11211	FRONT UPPER ARMS	11265	THREADED REAR SHOCK BODY	33210	HEX SOCKET BUTTON HEAD SCREWS 2*10mm
11212	FRONT LOWER ARMS	11266	THREADED SHOCK COLLAR	33305	HEX SOCKET BUTTON HEAD SCREWS 3*5mm
11213	FRONT TOP PLATE	11267	SHOCK ABSORBER PLASTIC PARTS	33308	HEX SOCKET BUTTON HEAD SCREWS 3*8mm
11214	FRONT STEERING KNUCKLES	11268	FR/RR SHOCK SPRING SET	33308T	HEX SOCKET BUTTON HEAD TP SCREWS 3*8mm
11215	PILLOW BALL	11269	FRONT SHOCK ABSORBER SET	33310	HEX SOCKET BUTTON HEAD SCREWS 3*10mm
11216	FRONT CVA SET	11270	REAR SHOCK ABSORBER SET	33310T	HEX SOCKET BUTTON HEAD TP SCREWS 3*10mm
11217	WHEEL HEX HUB	11271	REAR WING	33312	HEX SOCKET BUTTON HEAD SCREWS 3*10mm
11218	F/R ANTI ROLL BAR SET	11277	BRAKE PAD	33315	HEX SOCKET BUTTON HEAD SCREWS 3*15mm
11219	F/R BUMPER SET	11278	5*8mm BUSHING	33335	HEX SOCKET BUTTON HEAD SCREWS 3*35mm
11220	REAR SHOCK TOWER	11279	SCREW SET	35312	PAN HEAD SCREWS 3*12mm
11221	ALUM. REAR SUSPENSION BRACE	22012	FLANGE BALL SET	36208	BIND HEAD SCREWS 2.6*8mm
11222	REAR UPPER ARMS	22071	MANIFOLD	38303	SET SCREWS 3*3mm
11223	TURNBUCKLE ROD FOR STEERING	22075	MUFFLER	38404	SET SCREWS 4*4mm
11224	REAR LOWER ARM	22084	MANIFOLD SPRING	38405	SET SCREWS 4*5mm
11225	REAR HUB CARRIER	224044	CLUTCH NUT	38408	SET SCREWS 4*8mm
11226	REAR AXLES	224065	BALL BEARING 5*11mm	39008	NYLON NUT M3
11227	REAR DOG BONES	224066	BALL BEARING 10*15mm	39019	E-CLIPS 2.3*0.8TH
11228	HINGE PIN SET	224210	SINK ALUM. WASHER 3mm	39047	Axle 3x37 NI
11229	HINGE PIN BUSHINGS	84052	CLUTCH SHOE		OPTIONAL PARTS
11230	FRONT BODY POST	84053	CLUTCH SPRING	11107	TT CLEAR BODY
11231	WING MOUNT	84068	SILICONE TUBE	11131	ALUM FRONT CHASSIS BRACE
11232	WING MOUNT POST	84075	BALL BEARING 6*13mm	11132	ALUM REAR CHASSIS BRACE
11233	SERVO SAVER SET	84077	BALL BEARING 5*10mm	11133	HEX TURNBUCKLE FOR REAR UPPER ARM
11234	SERVO SAVER ARM	84133	SWITCH CAP	11134	NEW PISTON(2HOLE & 3HOLE)
11235	TURNBUCKLE FOR REAR UPPER ARM	84134	BODY CLIPS	11281	OPTIONAL SHOCK PISTONS
11236	TURNBUCKLE ROD ENDS	84135	NYLON NUT	224064	BALL BEARING 5*8mm
11237	STEEL SPUR GEAR	84187W	WASHER 3*16mm, 5*8mm	88087	SP BRAKE PAD
11238	CENTER DIFF OUTPUT	87018	SHOCK BOOTS & SPACERS	FR-24D	CLUTCH BELL-13T
		87031	STEEL SHOCK BALL		



HOBao

HO BAO ENTERPRISING CO.,LTD.

www.hobao-racing.com

E-Mail:hobao@hobao.com.tw

Made in Taiwan